

PLAT OF SURVEY

LOT 2 AND 3, BLOCK 31, ANTRAM'S SUBDIVISION OF BLOCKS 23, 27, 28, 30, 31, AND 32 OF GREENWOOD, A SUBDIVISION OF PART OF THE SOUTHEAST QUARTER OF SECTION 2 TOWNSHIP 35 NORTH, RANGE 10 EAST OF THE THIRD PRINCIPAL MERIDIAN, PLAT BOOK 17, PAGE 11, TOWNSHIP OF JOLIET, WILL COUNTY, ILLINOIS.

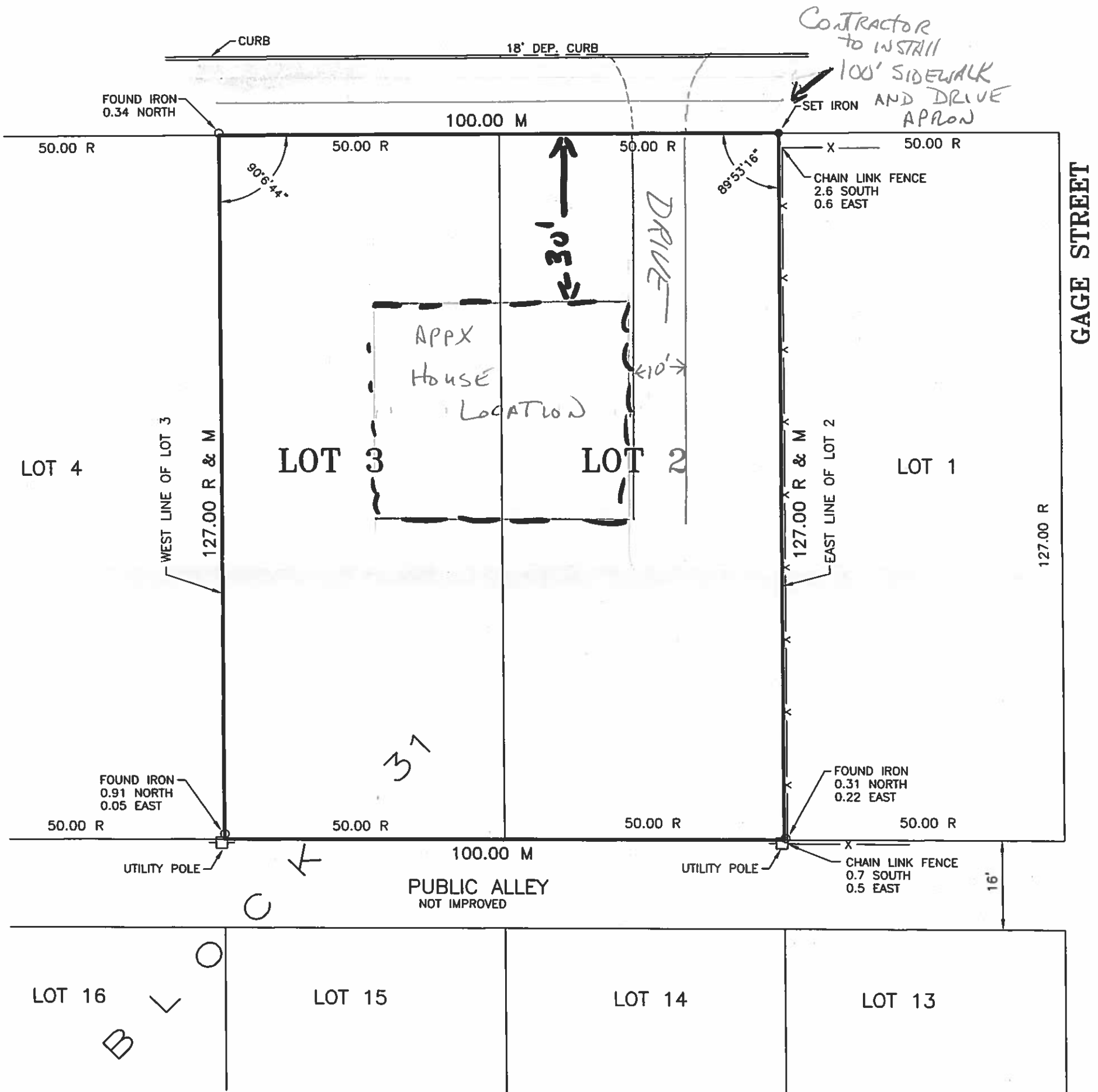
ADDRESS = 1414 WOODRUFF ROAD, JOLIET, ILLINOIS
P.I.N. = 30-07-02-401-023-0000



SCALE 1" = 20'

○ INDICATES IRONS FOUND
● INDICATES 9/16" X 30" IRON ROD SET
M = MEASURED
R = RECORD

WOODRUFF ROAD 66' R.O.W.



NOTES:

1. THIS PROFESSIONAL SERVICE CONFORMS TO THE CURRENT ILLINOIS MINIMUM STANDARDS FOR A BOUNDARY SURVEY.
2. FOR THIS SURVEY TO BE CONSIDERED AN ORIGINAL DOCUMENT, THE SURVEYOR'S SEAL MUST EITHER BE EMBOSSED OR AN INK STAMP IN THE COLOR RED.
3. GEOTECH INCORPORATED PROFESSIONAL DESIGN FIRM NUMBER 184-000165.
4. FIELD WORK COMPLETED ON MARCH 8, 2016.
5. ALL DIMENSIONS ARE IN FEET AND DECIMAL PARTS THEREOF.
6. NO BUILDINGS ARE CONSTRUCTED OF THIS PARCEL.

STATE OF ILLINOIS }
COUNTY OF WILL }^{SS}

I, CHRISTOPHER M. PAPESH, A PROFESSIONAL LAND SURVEYOR IN THE STATE OF ILLINOIS, DO HEREBY CERTIFY THAT I HAVE SURVEYED, STAKED, LOCATED THE IMPROVEMENTS ON, AND PLATTED THE LAND DESCRIBED IN THE FOREGOING CAPTION AND SHOWN ON THIS PLAT, AND THAT THIS PLAT IS A CORRECT REPRESENTATION THEREOF, DATED AT CREST HILL, ILLINOIS THIS 22nd DAY OF March, 2016, A.D.

Christopher M. Papesh
ILLINOIS PROFESSIONAL LAND SURVEYOR NO. 3369
LICENSE EXPIRATION DATE 11/30/2016

GEOTECH INC.
CONSULTING ENGINEERS - LAND SURVEYORS

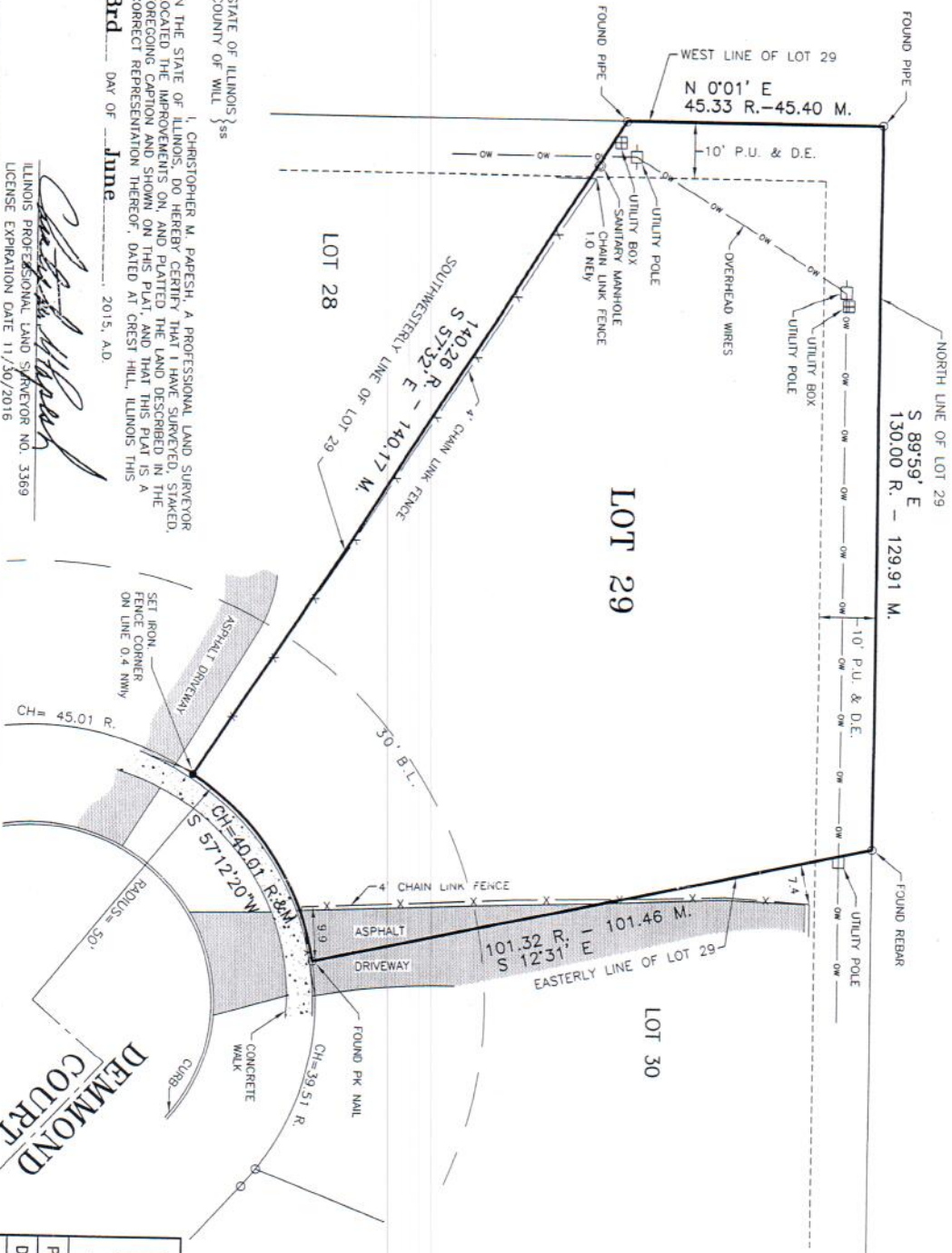
1207 CEDARWOOD DRIVE CREST HILL, ILLINOIS 60403 815/730-1010

PROJECT: NEIGHBORHOOD SERVICES	FIELD BOOK #: BB3510 16
DRAWN BY: R.D.	DATE: 3/17/16
SCALE: 1"=20'	JOB NO. 19490

COMPARE THIS PLAT WITH YOUR RECORDS AND IMMEDIATELY REPORT ANY DISCREPANCIES

PLAT OF SURVEY

LOT 29, HERITAGE SUBDIVISION IN THE NORTHEAST QUARTER OF SECTION 2, TOWNSHIP 35 NORTH, RANGE 10 EAST OF THE THIRD PRINCIPAL MERIDIAN, ACCORDING TO THE PLAT THEREOF RECORDED SEPTEMBER 27, 1962 AS DOCUMENT NO. 966927, IN WILL COUNTY, ILLINOIS
 ADDRESS= 1317 DEMMOND COURT, JOUETT, IL.
 P.I.N. = 30-07-02-206-008-0000



SCALE 1" = 20'

○ INDICATES IRONS FOUND
 ● INDICATES 9/16" X 30" IRON ROD SET

B.L. = BUILDING LINE
 M = MEASURED
 R = RECORDED
 P.U. & D.E. = PUBLIC UTILITY AND DRAINAGE EASEMENT

- NOTES:
1. THIS PROFESSIONAL SERVICE CONFORMS TO THE CURRENT ILLINOIS MINIMUM STANDARDS FOR A BOUNDARY SURVEY.
 2. FOR THIS SURVEY TO BE CONSIDERED AN ORIGINAL DOCUMENT THE SURVEYOR'S SEAL MUST EITHER BE EMBOSSED OR AN INK STAMP IN THE COLOR RED GEOTECH INCORPORATED PROFESSIONAL DESIGN FIRM NUMBER 184-000165.
 3. FIELD WORK COMPLETED ON MAY 20, 2015.
 4. ALL DIMENSIONS ARE IN FEET AND DECIMAL PARTS THEREOF.
 5. ALL BEARINGS SHOWN ARE RECORD SUBDIVISION PLAT BEARINGS.
 6. NO BUILDINGS ARE CONSTRUCTED ON THIS LOT.

STATE OF ILLINOIS }
 COUNTY OF WILL } ss
 I, CHRISTOPHER M. PARESH, A PROFESSIONAL LAND SURVEYOR LOCATED IN THE STATE OF ILLINOIS, DO HEREBY CERTIFY THAT I HAVE SURVEYED, STAKED, FOREGOING CAPTION AND SHOWN ON THIS PLAT, AND THAT THIS PLAT IS A CORRECT REPRESENTATION THEREOF, DATED AT CREST HILL, ILLINOIS THIS
 3rd DAY OF June 2015, A.D.

Christopher M. Paresch
 ILLINOIS PROFESSIONAL LAND SURVEYOR NO. 3369
 LICENSE EXPIRATION DATE 11/30/2016

GEOTECH INC.
 CONSULTING ENGINEERS - LAND SURVEYORS

1207 CEDARWOOD DRIVE CREST HILL, ILLINOIS 60403 815/730-1010

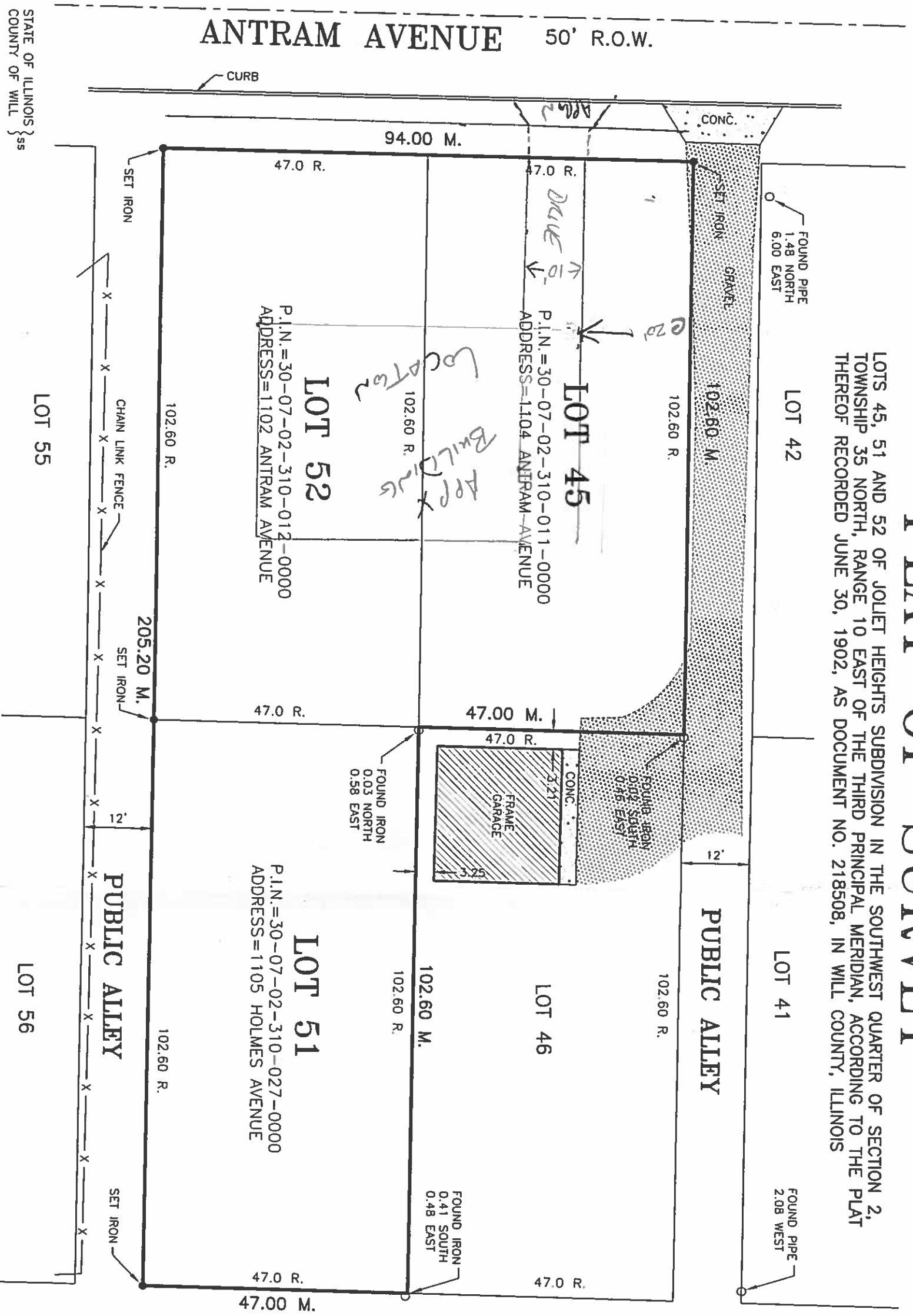
PROJECT: NEIGHBORHOOD SERVICES FIELD BOOK #: BA3510 16

DRAWN BY: R.D. DATE: 5/29/15 SCALE: 1"=20' JOB NO. 19278

COMPARE THIS PLAT WITH YOUR RECORDS AND IMMEDIATELY REPORT ANY DISCREPANCIES

PLAT OF SURVEY

LOTS 45, 51 AND 52 OF JOLLET HEIGHTS SUBDIVISION IN THE SOUTHWEST QUARTER OF SECTION 2, TOWNSHIP 35 NORTH, RANGE 10 EAST OF THE THIRD PRINCIPAL MERIDIAN, ACCORDING TO THE PLAT THEREOF RECORDED JUNE 30, 1902, AS DOCUMENT NO. 218508, IN WILL COUNTY, ILLINOIS



STATE OF ILLINOIS }
 COUNTY OF WILL }
 ss
 I, JERALD M. PAPERH, A PROFESSIONAL LAND SURVEYOR IN THE STATE OF ILLINOIS, DO HEREBY CERTIFY THAT I HAVE SURVEYED, STAKED, LOCATED THE IMPROVEMENTS ON, AND PLATED THE LAND DESCRIBED IN THE FOREGOING CAPTION AND SHOWN ON THIS PLAT, AND THAT THIS PLAT IS A CORRECT REPRESENTATION THEREOF, DATED AT CREST HILL, ILLINOIS THIS 24th DAY OF June, 2015, A.D.

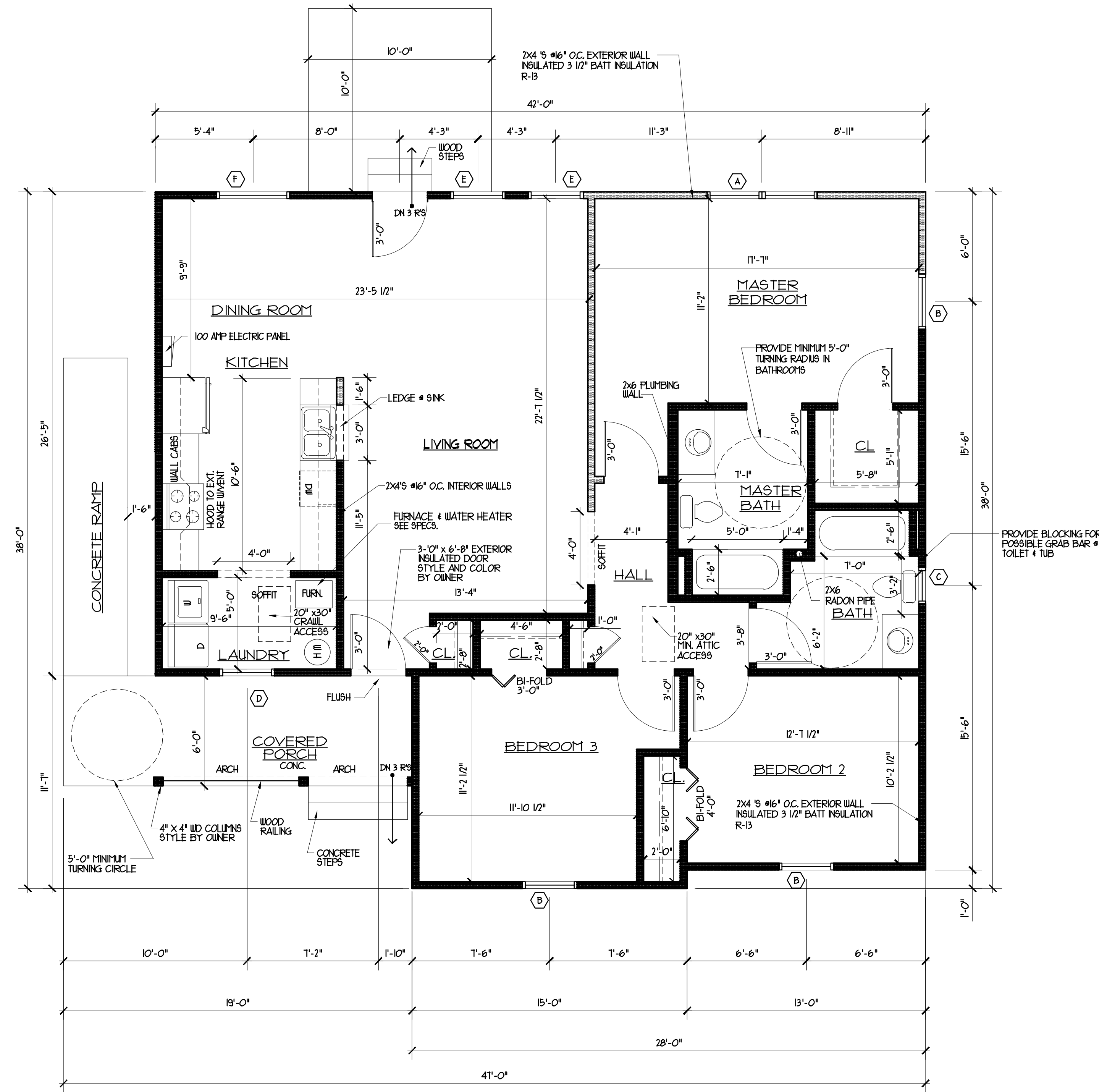
Jerald M. Paperh
 ILLINOIS PROFESSIONAL LAND SURVEYOR NO. 2292
 LICENSE EXPIRATION DATE 11/30/2016

- NOTES:
1. THIS PROFESSIONAL SERVICE CONFORMS TO THE CURRENT ILLINOIS MINIMUM STANDARDS FOR A BOUNDARY SURVEY.
 2. FOR THIS SURVEY TO BE CONSIDERED AN ORIGINAL DOCUMENT, THE SURVEYOR'S SEAL MUST EITHER BE EMBOSSED OR AN INK STAMP IN THE COLOR RED.
 3. GEOTECH INCORPORATED PROFESSIONAL DESIGN FIRM NUMBER 184-000165.
 4. FIELD WORK COMPLETED ON MAY 27, 2015.
 5. ALL DIMENSIONS ARE IN FEET AND DECIMAL PARTS THEREOF.
 6. NO BUILDINGS ARE CONSTRUCTED ON THE PROPERTY.

SCALE 1" = 20'
 "O" INDICATES IRONS FOUND
 "●" INDICATES 9/16" X 30" IRON ROD SET
 M = MEASURED
 R = RECORD

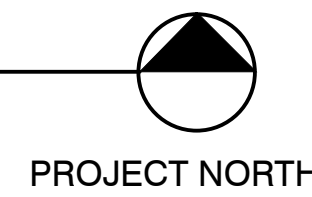
GEOTECH INC.
 CONSULTING ENGINEERS - LAND SURVEYORS

1207 CEDARWOOD DRIVE CREST HILL, ILLINOIS 60403 815/730-1010
 PROJECT: NEIGHBORHOOD SERVICES FIELD BOOK #: BA3510 20
 DRAWN BY: R.D. DATE: 6/18/15 SCALE: 1"=20' JOB NO. 19277
 COMPARE THIS PLAT WITH YOUR RECORDS AND IMMEDIATELY REPORT ANY DISCREPANCIES



PROPOSED FLOOR PLAN

SCALE: 1/4" = 1'-0"



TOTAL HOUSE AREA = 1423 SQ. FT.

WINDOW SCHEDULE				
LTR.	QTY.	ROUGH OPENING (W X H)	MODEL	DESCRIPTION
A	1	6'-8" X 5'-0"	6850	(2) SINGLE HING - EGRESS WINDOWS MILLED TOGETHER
B	3	3'-0" X 5'-0"	3050	SINGLE HING - EGRESS WINDOWS
C	1	2'-0" X 3'-0"	2030	SINGLE HING
D	1	3'-0" X 3'-8"	3038	SINGLE HING
E	2	3'-0" X 5'-0"	3050	SINGLE HING - WINDOW NEAR DOOR TO HAVE SAFTY GLASS
F	1	4'-0" X 5'-0"	4050	SINGLE HING

NOTE: ALL WINDOW MODEL #'S ARE SILVERLINE 2900 SERIES SINGLE HING BY ANDERSEN WINDOWS, ONLY THE SAME WINDOW BY PELLA OR MARVIN CAN BE SUBSTITUTED.

NOTE: MAXIMUM U-VALUE IN WINDOWS & DOORS SHALL BE 0.28.

NOTES:

- ALL EXTERIOR WALL HEADERS TO BE 2x12'S W/ (2) 2x6 STUDS EACH SIDE.
- DIMENSIONS SHOWN ARE TO FINISHED EDGES OF WALL & EXTERIOR PLYWOOD. INTERIOR WALLS ARE 4 1/2" AND EXTERIOR WALL ARE 6 1/2"
- COORDINATE PLUMBING PIPES THRU FLOOR JOISTS. ANY JOISTS CUT SHALL BE STIFFENED WITH STEEL STRAPS.
- PROVIDE 4" PVC PIPE FROM UNDER CONCRETE SLAB IN BASEMENT UP THROUGH ROOF FOR RADON PROTECTION

GENERAL NOTES - SEE ALSO BIDDING REQUIREMENTS & SPECIFICATIONS BOOK PROVIDED

CONSTRUCTION NOTES & SPECIFICATIONS

- CONTRACTOR TO LOCATE ALL UNDERGROUND UTILITIES PRIOR TO COMMENCING WORK.
- ALL EXCAVATIONS SHALL BE SUBSTANTIALLY FREE OF WATER DURING FOUNDATION CONSTRUCTION WORK.
- ALL FOOTINGS SHALL BEAR ON UNDISTURBED SOIL CAPABLE OF SUPPORTING 2000 PSF. ALL FOOTINGS SHALL BE MIN 3'-6" BELOW GRADE. THE BEARING CAPACITY OF THE SOIL IS TO BE DETERMINED BY THE CONTRACTOR BEFORE CONSTRUCTION BEGINS. SPECIFIC SOIL CONDITIONS AT VARIANCE WITH THIS SHALL BE BROUGHT TO THE ATTENTION OF THE ARCHITECT BY THE CONTRACTOR.
- SITE GRADING SHALL DIRECT WATER AWAY FROM HOUSES
- CONCRETE SHALL HAVE A MINIMUM 28 DAY COMPRESSIVE STRENGTH OF 3,000 PSI. ALL CONCRETE EXPOSED TO WEATHER SHALL HAVE AIR ENTRAINMENT OF 5% TO 8%.
- 4" BRICK VENEER SHALL BE APPLIED WITH CORRUGATED METAL FASTENERS 16" O.C. VERTICALLY, AND 24" O.C. HORIZONTALLY. PROVIDE WEEP HOLES # 24" O.C. 1" MIN. AIRSPACE.
- STEEL REINFORCEMENT SHALL CONFORM TO ASTM-65 GRADE 60. ANCHOR BOLTS SHALL CONFORM TO ASTM A-325.
- ALL STRUCTURAL STEEL SHALL BE ASTM A-36, A-50.
- WOOD FLOOR JOISTS SHALL HAVE A MINIMUM FIBER STRESS IN BENDING OF 850 PSI & A MINIMUM MODULUS OF ELASTICITY OF 1,000,000 PSI. EXAMPLE: SPRUCE-PINE-FIR NO. 2, DOUGLAS FIR LARCH NO. 2, OR HEM-FIR NO. 2.
- MANUFACTURED FLOOR & ROOF TRUSSES SHALL BE DESIGNED ACCORDING TO LIVE AND DEAD LOADS AND SHALL BE CERTIFIED BY A LICENSED STRUCTURAL ENGINEER.
- PROVIDE SOLID WOOD BRIDGING # MID-SPAN OF ALL WOOD 2 X MEMBER JOISTS & RAFTERS.
- PROVIDE DOUBLE JOISTS # ALL PARALLEL WALLS ABOVE & AS SHOWN ON FRAMING PLANS. PROVIDE DOUBLE HEADERS AROUND OPENINGS IN FLOORS, CEILINGS, OR ROOFS.
- WOOD JOIST FRAMING SHALL BE LVL. SHALL BE USE LAMINATED VENEER LUMBER AS MANUFACTURED BY Weyerhaeuser
- WOOD TRUSS/STRAND BEAMS SHALL BE USE LAMINATED STRAND LUMBER AS MANUFACTURED BY Weyerhaeuser
- ALL WOOD STUDS SHALL BE SPRUCE-PINE-FIR, HEM-FIR OR DOUGLAS-FIR 2 GRADE OR BETTER WITH A MINIMUM COMPRESSIVE STRENGTH PARALLEL TO THE GRAIN OF 800 PSF. ALL WOOD MEMBERS TO HAVE A MOISTURE CONTENT OF 19% OR LESS.
- WHERE WOOD FRAMING MEMBERS ARE SUPPORTED BY OTHER WOOD MEMBERS AT A SIMILAR ELEVATION, USE METAL JOIST HANGERS OF APPROPRIATE SIZES.
- ALL STRUCTURAL WOOD FRAMING TO BE 2" CLEAR OF FLUES, CHIMNEYS, AND FIREPLACES AND 6" CLEAR OF THE OPENINGS.
- ALL WOOD POSTS ARE TO BE (2) 2x4'S OR (3) 2x4'S AT CORNERS, EXCEPT WHERE NOTED.
- ALL EXTERIOR WOOD FRAMING & SILL PLATES ON FOUNDATIONS TO BE PRESSURE TREATED.
- WOOD HEADERS TO BE (2) 2 X 12'S, UNLESS NOTED OTHERWISE.
- WINDOW NUMBERS LISTED ON PLANS ARE VINYL WINDOWS AS MANUFACTURED BY VINYLTECH WINDOWS. SEE WINDOW SCHEDULE. PROVIDE TYPED SAFETY GLASS WHERE REQUIRED BY CODE. GLASS IN WINDOWS SHALL BE "LOW E" ARGON GAS FILLED INSULATING PERFORMANCE GLASS.
- PROVIDE AT LEAST ONE EGRESS WINDOW IN EACH SLEEPING ROOM. THE WINDOW SHALL HAVE A SILL HEIGHT NOT MORE THAN 44 INCHES ABOVE THE FLOOR. ALL EGRESS OR RESCUE WINDOWS FROM SLEEPING ROOMS MUST HAVE A MINIMUM NET CLEAR OPENING OF 5.7 SQUARE FEET. THE MINIMUM NET CLEAR OPENING HEIGHT SHALL BE 24 INCHES, & THE MINIMUM NET CLEAR OPENING WIDTH DIMENSION SHALL BE 20 INCHES.
- ALL OPERABLE WINDOWS SHALL HAVE SCREENS AND INTERIOR SASH LOCKS.
- ALL GLASS WITHIN TUB ENCLOSURES AND ANY GLASS WITHIN 18" OF THE FINISHED FLOOR SHALL BE SAFETY GLASS.
- INTERIOR DOORS SHALL BE WOOD HOLLOW CORE DOORS BY JELD-GEN OR CRAFTMASTERS EXTERIOR DOORS & GARAGE DOORS SHALL BE INSULATED HOLLOW METAL WITH U-VALUE OF LESS THAN .32 DOOR # GARAGE AND HOUSE SHALL BE A ONE HOUR RATED HOLLOW METAL.
- HOUSE ENTRANCE DOORS SHALL BE INSULATED HOLLOW METAL AS MANUFACTURED BY THERMA-TRU, PELLA, OR JELD-GEN SEE SPECIFICATIONS W/ A U-VALUE OF .32 OR LESS
- ALL HARDWARE SHALL BE AS APPROVED BY OWNER.
- OVERHEAD GARAGE DOORS SHALL BE BULLMARK MODEL AS MANUFACTURED BY RAYNOR GARAGE DOORS, AND AS APPROVED BY OWNER. SEE SPECIFICATIONS
- FLOORING SHALL BE AS APPROVED BY OWNER.
- WOOD TRIM FOR WINDOWS, DOORS, AND BASEBOARDS SHALL BE AS SPECIFIED IN SPECIFICATIONS
- BASEMENT WALL INSULATION SHALL BE MIN R-5 RIGID INSULATION ON EXTERIOR OF FOUNDATION AS MANUFACTURED BY JOHNS-MANVILLE INTERNATIONAL INC, OWENS CORNING OR EQUAL.
- WALL INSULATION SHALL R-20 FIBERGLASS BATT INSULATION AS MANUFACTURED BY JOHNS-MANVILLE INTERNATIONAL INC, OWENS CORNING OR EQUAL.
- ATTIC-ROOF INSULATION SHALL BE R-49 FIBERGLASS BATT INSULATION AS MANUFACTURED BY JOHNS-MANVILLE INTERNATIONAL INC, OWENS CORNING OR EQUAL.
- VINYL SIDING SHALL BE DOUBLE 4" SIDING AS MANUFACTURED BY CERTANTEED OR OTHERS IN SPECIFICATIONS
- ROOFING SHALL BE ASPHALT/FIBERGLASS SHINGLES-MIN. 30 YEAR CLASS A SHINGLE BY CERTANTEED, GAF, GLOBE, OR OWENS-CORNING
- RIDGE & HIP VENTS SHALL BE COR-A-VENT "V-400" USE WITH ALUMINUM SOFFIT VENTS. THE TOTAL NET VENTILATING AREA SHALL NOT BE LESS THAN 1/60TH OF THE AREA TO BE VENTILATED, EXCEPT THAT THE AREA MAY BE 1/300TH IF AT LEAST 50% OF THE REQUIRED VENTILATING AREA IS PROVIDED BY MECHANICAL VENTILATORS.
- PROVIDE ALUMINUM GUTTERS & DOWNSPOUTS FOR THE ENTIRE HOUSE. DRAIN ALL DOWNSPOUTS AWAY FROM HOUSE.
- GYPSONUM BOARD SHALL BE 1/2" GYPSONUM BOARD, PROVIDE 5/8" TYPE "X" FIRE RESISTANT GYPSONUM BOARD # WALLS & CEILING BETWEEN GARAGE AND HOUSE. PROVIDE 5/8" GYPSONUM BOARD ON ALL FRAMING # 2'-0" O.C. PROVIDE WATER-RESISTANT GYPSONUM BOARD IN ALL WET AREAS.
- PRIME W/ COAT & PAINT W/2 COATS ALL NEW WALL AND EXPOSED CEILING SURFACES- SEE SPECIFICATIONS
- SMOKE DETECTORS SHALL BE LOCATED AS SHOWN ON PLANS, AND/OR AT LEAST ONE ON EACH FLOOR, EACH SLEEPING ROOM, AND EACH HALL TO BEDROOMS. SMOKE DETECTORS SHALL BE INTERCONNECTED & WIRED TO THE ELECTRICAL POWER, SO THAT THE ACTIVATION OF ONE DETECTOR WILL ACTIVATE ALL ALARMS.
- DUCT ALL EXHAUST FANS TO THE EXTERIOR- BATHROOM FAN, KITCHEN FAN, DRYER VENT, ETC.
- STAIRS : RISERS 7 3/4" MAXIMUM. TREADS: 10" MINIMUM. 6'-8" MINIMUM HEADROOM.
- FURNACE UNIT TO BE MIN. 90% EFFICIENT & SHALL BE PROVIDED W/ PROGRAMMABLE THERMOSTAT- SEE SPECS
- ALL CLOSETS TO HAVE ONE SHELF AND ONE CLOTHES POLE UNLESS OTHERWISE NOTED. LINEN AND PANTRY CLOSETS TO HAVE FIVE SHELVES.
- GENERAL CONTRACTOR IS TO PROVIDE AND INSTALL FLASHING AT ALL ENTRANCE SLABS ADJACENT TO WALL CONSTRUCTION.
- PROVIDE ALUMINUM FLASHING AT ALL WALL / ROOF INTERSECTIONS TO INSURE WATER TIGHT CONDITIONS.
- ALL SKYLIGHTS, METAL FLUES, VENTS, STACKS, OR OTHER ROOF ACCESSORIES REQUIRING FLASHINGS SHALL BE INSTALLED AS PER MANUFACTURERS SPECIFICATIONS.
- COORDINATE ALL MECHANICAL SYSTEMS WITH OWNER & CONTRACTOR
- MECHANICAL DUCTWORK SHALL BE WITHIN THE THERMAL ENVELOPE (OR INSULATED SPACES) WHERE POSSIBLE
- MECHANICAL DUCTWORK THAT IS OUTSIDE THE THERMAL ENVELOPE (IE ATTIC SPACE) SHALL BE INSULATED TO R-8 FOR SUPPLY AND R-6 FOR ALL OTHERS.
- THE PIPING FOR THE WATER DISTRIBUTION SYSTEM SHALL BE TYPE L COPPER

ADMINISTRATIVE NOTES

- "OWNER" SHALL BE CONSIDERED THE CITY OF JOLIET
- SEE ALSO PROJECT SPECIFICATIONS BOOK PROVIDED FOR DETAILED SPECIFICATIONS OF MATERIALS & INSTALLATIONS DESCRIPTIONS IN PROJECT SPECIFICATIONS TAKE PRECEDENCE OVER NOTES OR INFORMATION ON DRAWING SHEETS
- THIS ARCHITECT HAS NOT BEEN RETAINED TO SUPERVISE CONSTRUCTION OF THIS PROJECT. CONTRACTOR SHALL BE RESPONSIBLE FOR COORDINATING THE CONSTRUCTION BASED ON THE DRAWINGS.
- DO NOT SCALE DRAWINGS. WRITTEN DIMENSIONS TAKE PREFERENCE OVER SCALED DIMENSIONS.
- THE INFORMATION CONTAINED IN THESE DRAWINGS WAS OBTAINED PREVIOUSLY. IF CONDITIONS HAVE CHANGED SUBSEQUENT TO COMPLETION OF THE DRAWING (I.E. DESIGN CONTRACTOR, PRE-FABRICATED METAL BUILDING DESIGN OR SUPPLIER) THE ARCHITECT SHALL BE CONTACTED FOR REVISIONS TO THE DRAWINGS. IF NOT CONTACTED THE CONTRACTOR AND OWNER SHALL ASSUME RESPONSIBILITY FOR ANY VARIATIONS OR CHANGES FROM ANY INFORMATION, MATERIAL, ETC, ON THESE DRAWINGS.
- CONTRACTOR SHALL VERIFY ALL DIMENSIONS AND CONDITIONS IN THE FIELD PRIOR TO STARTING THE WORK.
- ALL DIMENSIONS ON STRUCTURAL DRAWINGS TO BE CHECKED AND COORDINATED AGAINST ARCHITECTURAL, MECHANICAL, AND ELECTRICAL DRAWINGS BY CONTRACTOR.
- THE CONTRACTOR, OWNER OR OTHER SHALL BE RESPONSIBLE FOR ANY DEVIATIONS OR CHANGES FROM THESE PLANS WITHOUT APPROVAL OF THE ARCHITECT.
- ALL CONSTRUCTION SHALL BE DONE BY A LICENSED CONTRACTOR AND ACCORDING TO THE INTERNATIONAL BUILDING CODE 2003 AND ANY LOCAL ORDINANCES.
- THE GENERAL CONTRACTOR SHALL BE RESPONSIBLE FOR COORDINATING THE LOCATION AND PLACEMENT OF INSERTS, HANGERS, SLEEVES, DUCTWORK, PADS AND ANCHOR BOLTS THAT ARE REQUIRED BY THE MECHANICAL EQUIPMENT. NO SLEEVES GREATER THAN 4 INCH DIAMETER OR ANY OPENINGS CLOSER THAN 12 INCHES TO A COLUMN SHALL BE ALLOWED IN THE CONCRETE WORK, UNLESS SHOWN ON THE STRUCTURAL DRAWINGS OR APPROVAL BY THE STRUCTURAL ENGINEER OR ARCHITECT. THE GENERAL CONTRACTOR SHALL VERIFY ALL OPENINGS THROUGH FLOORS AND WALLS WITH MECHANICAL AND ELECTRICAL CONTRACTORS.
- THE INFORMATION CONTAINED ON THE STRUCTURAL DRAWINGS IS IN ITSELF INCOMPLETE AND VOID UNLESS USED IN CONJUNCTION WITH THE CONTRACT DOCUMENTS AND WITH ALL THE SPECIFICATIONS, TRADE PRACTICES, OR APPLICABLE STANDARDS, CODES, ETC, INCORPORATED THEREIN BY REFERENCE WHICH THE CONTRACTOR CERTIFIES KNOWLEDGE OF BY SIGNING THE CONTRACT.
- ALL PLUMBING SHALL BE DONE BY A LICENSED CONTRACTOR AND ACCORDING TO ILLINOIS STATE PLUMBING CODE 2004
- ALL ELECTRICAL WORK SHALL BE DONE BY A LICENSED CONTRACTOR AND ACCORDING TO THE NATIONAL ELECTRICAL CODE 2002
- ALL MECHANICAL WORK SHALL BE DONE BY A LICENSED CONTRACTOR AND ACCORDING TO THE INTERNATIONAL MECHANICAL CODE 2003
- ALL COLORS, FINISHES, MATERIALS AND PRODUCTS TO BE APPROVED BY OWNER FROM SAMPLES OR SPECIFICATIONS FURNISHED BY CONTRACTOR.
- CONTRACTOR TO ASSUME FULL RESPONSIBILITY FOR COMPLIANCE WITH THE CONSTRUCTION DOCUMENTS FOR DIMENSIONS TO BE CONFIRMED AND CORRELATED ON THE JOB SITE AND INDIVIDUAL DRAWINGS OR SETS OF DRAWINGS FOR FABRICATION PROCESS AND CONSTRUCTION TECHNIQUES (INCLUDING EXCAVATION, SHORING, SCAFFOLDING, BRACING, ERECTION FORM WORK, ETC.) FOR THE VARIOUS TRADES AND FOR SAFE CONDITIONS ON THE JOB SITE.

ROOF LOADS	DECK LOADS
30 PSF LIVE LOAD	40 PSF LIVE LOAD
15 PSF DEAD LOAD	15 PSF DEAD LOAD
FIRST FLOOR LOADS	SECOND FLOOR LOADS
40 PSF LIVE LOAD	30 PSF LIVE LOAD
15 PSF DEAD LOAD	15 PSF DEAD LOAD
ATTIC FLOOR LOAD	
NO STORAGE	
10 PSF LIVE LOAD	
15 PSF DEAD LOAD	

DRAWING INDEX

- A-1 FLOOR PLAN
- A-2 FOUNDATION PLAN & DETAILS
- A-3 ELEVATIONS
- A-4 ROOF PLAN & WALL SECTIONS & DETAILS
- E-1 ELECTRICAL PLANS

SEE ALSO CITY OF JOLIET SPECIFICATIONS PACKAGE

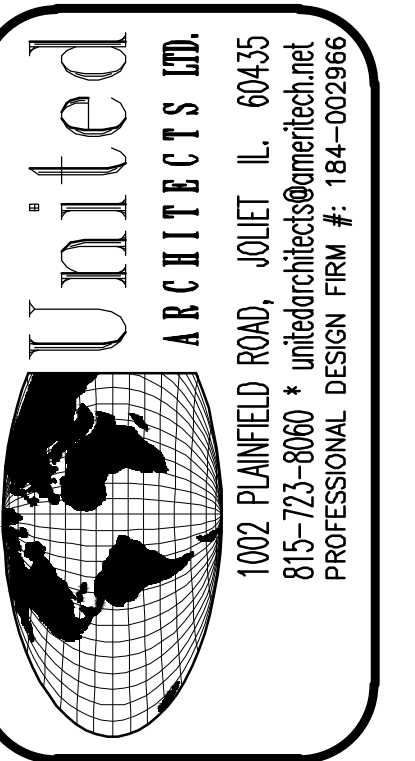
I hereby certify that these architectural drawings which include sheets listed in the drawing index were prepared by me and /or under my supervision and that to the best of my knowledge and belief they comply with the ordinances and building codes of City of Joliet, Illinois.

Robert J Gebel Jr., Architect
Illinois license no. 001013621
Date License Expires 11-30-2016

Architect's signature

Date

UNITED ARCHITECTS RESERVE COPYRIGHT & NO OTHER RE-USE OR REPRODUCTION OF THESE DRAWINGS FOR THE ORIGINAL SITE OR PURPOSE. FOR ANY OTHER REUSE OR REPRODUCTION, REPRODUCTION SHALL BE AT THE USER'S OWN RISK AND WITHOUT LIABILITY TO UNITED ARCHITECTS.



REVISIONS:

NO.	DATE	REMARKS

ISSUED FOR BUILDING PERMIT MARCH 10, 2016

PROPOSED RANCH HOUSE

FOR : THE CITY OF JOLIET

JOLIET, IL.

DRAWN BY: R.P. A.D.

CHECKED BY: BOB GEBEL

DATE: MARCH 10, 2016

PROJECT NO: 16-07

TITLE: FLOOR PLAN

SHEET A-1

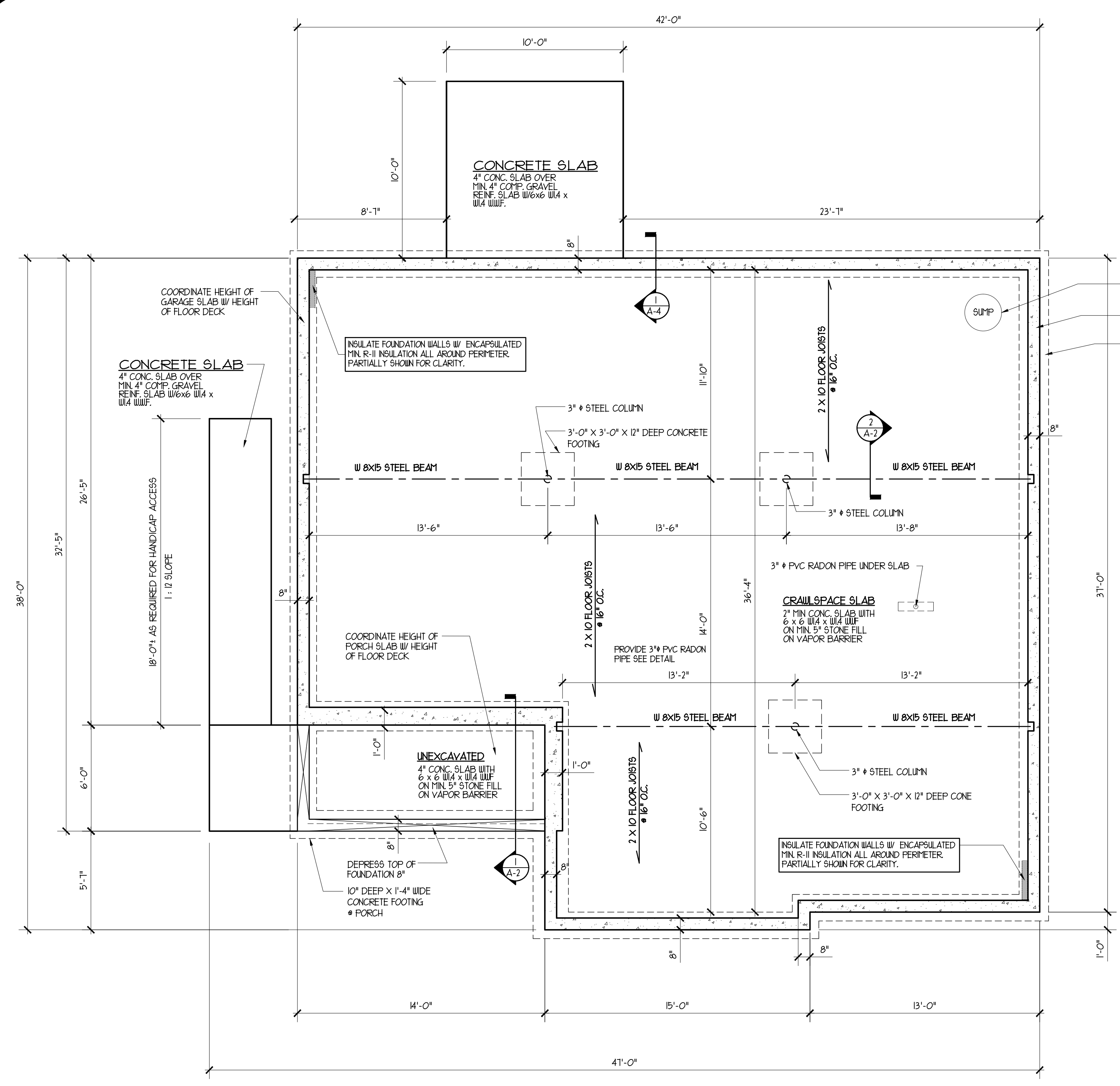
REVISION NO.	DATE	REMARKS

ISSUED FOR BUILDING PERMIT MARCH 10, 2016

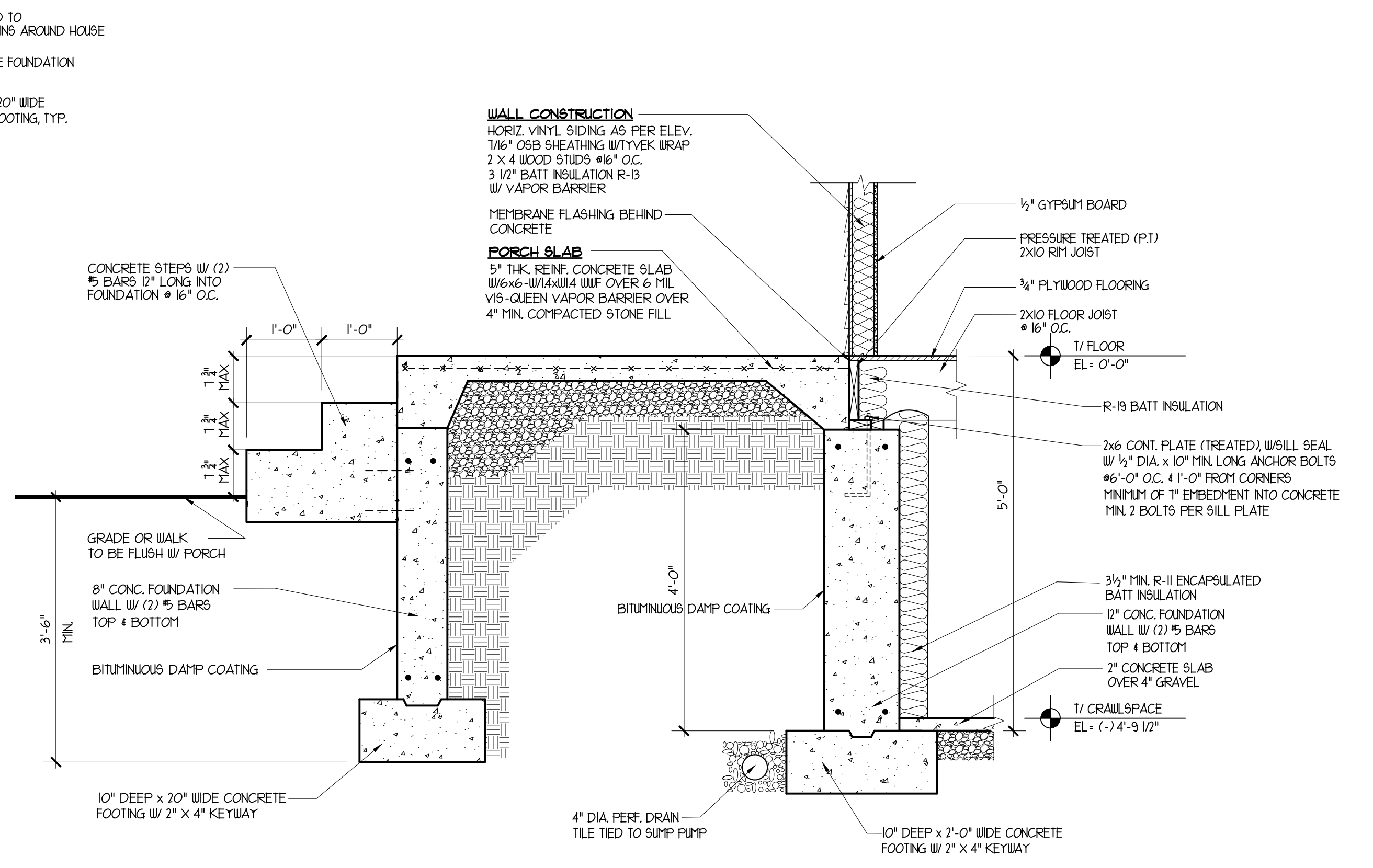
PROPOSED RANCH HOUSE
 FOR THE CITY OF JOLIET
 JOLIET, IL.

DRAWN BY: R.P. A.D.
CHECKED BY: BOB GEBEL
DATE: MARCH 10, 2016
PROJECT NO: 16-07
TITLE: FOUNDATION PLAN

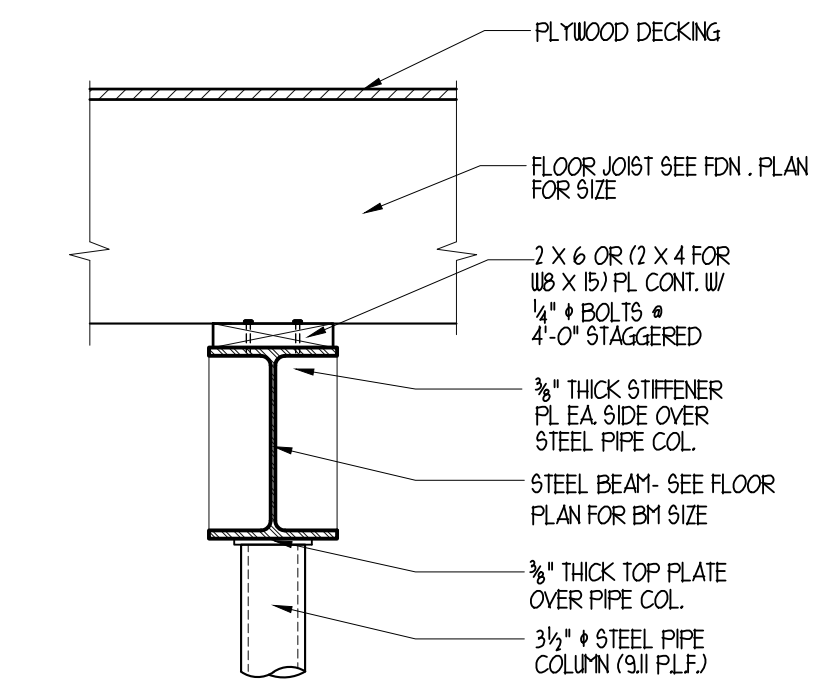
SHEET A-2



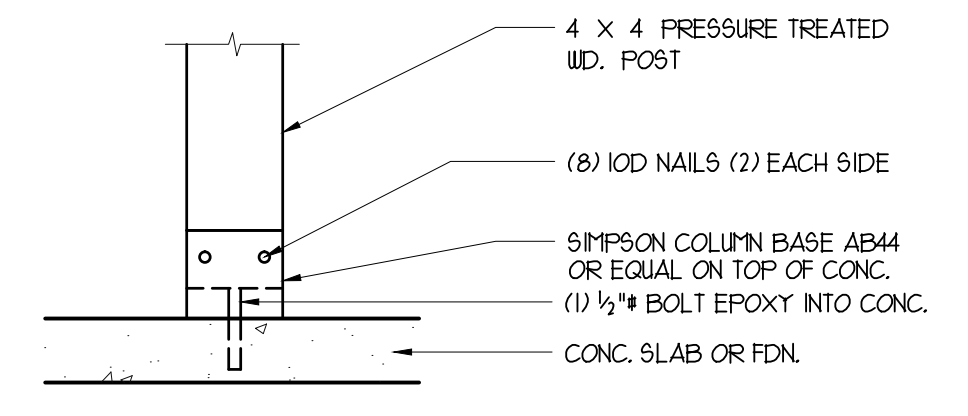
PROPOSED FOUNDATION PLAN
 SCALE: 1/4" = 1'-0"
 PROJECT NORTH



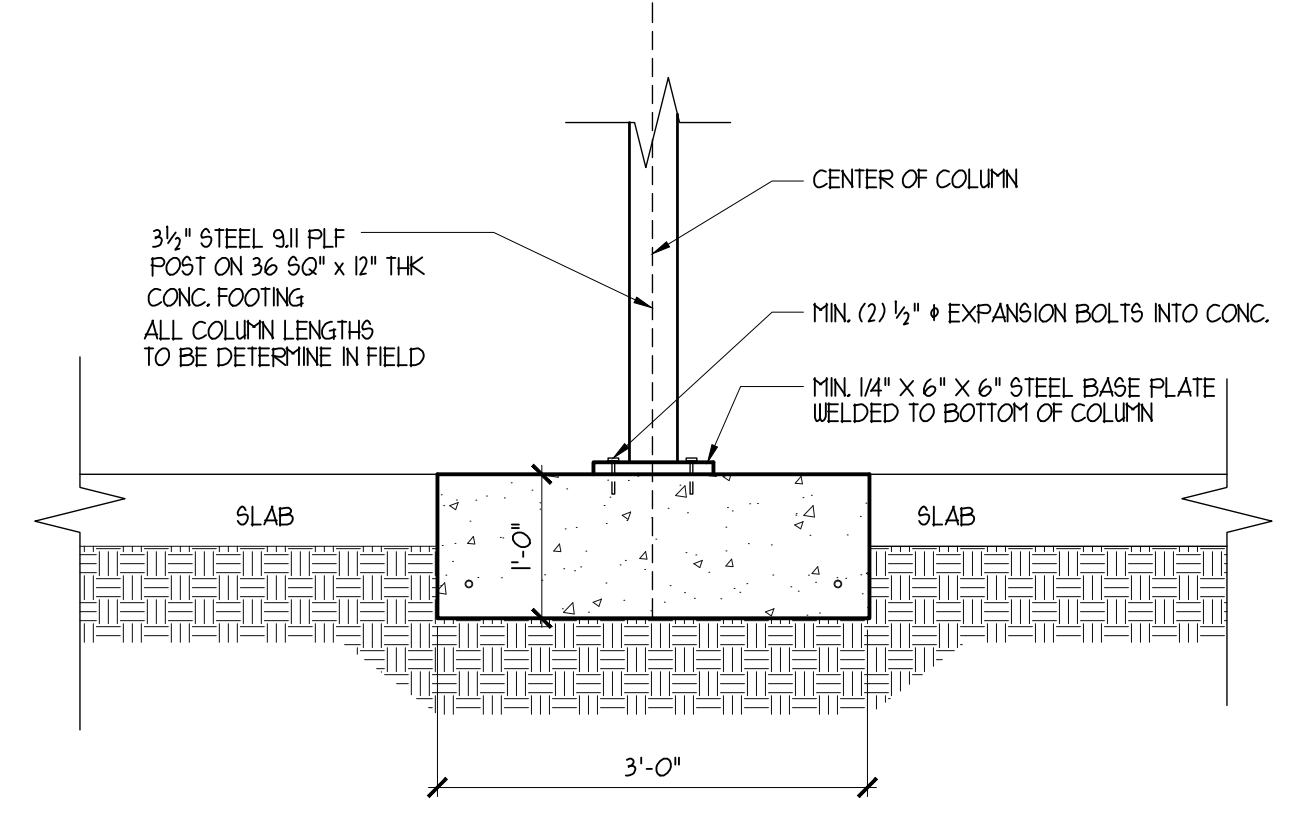
1 WALL SECTION @ PORCH
 SCALE: 3/4" = 1'-0"



2 TYPICAL COL. BEAM DETAIL
 SCALE: 1/4" = 1'-0"

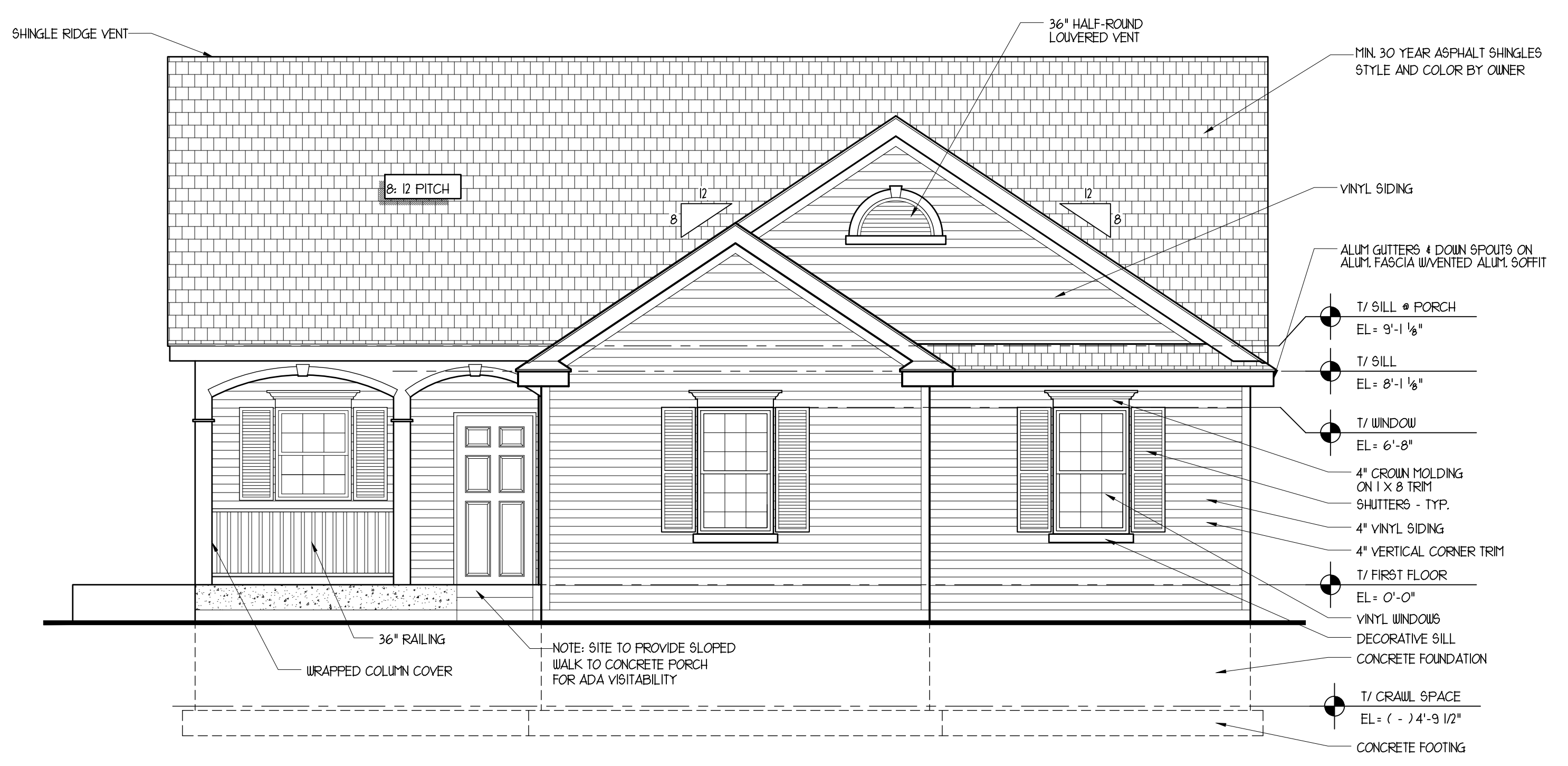


PORCH POST BASE
 SCALE: 1" = 1'-0"

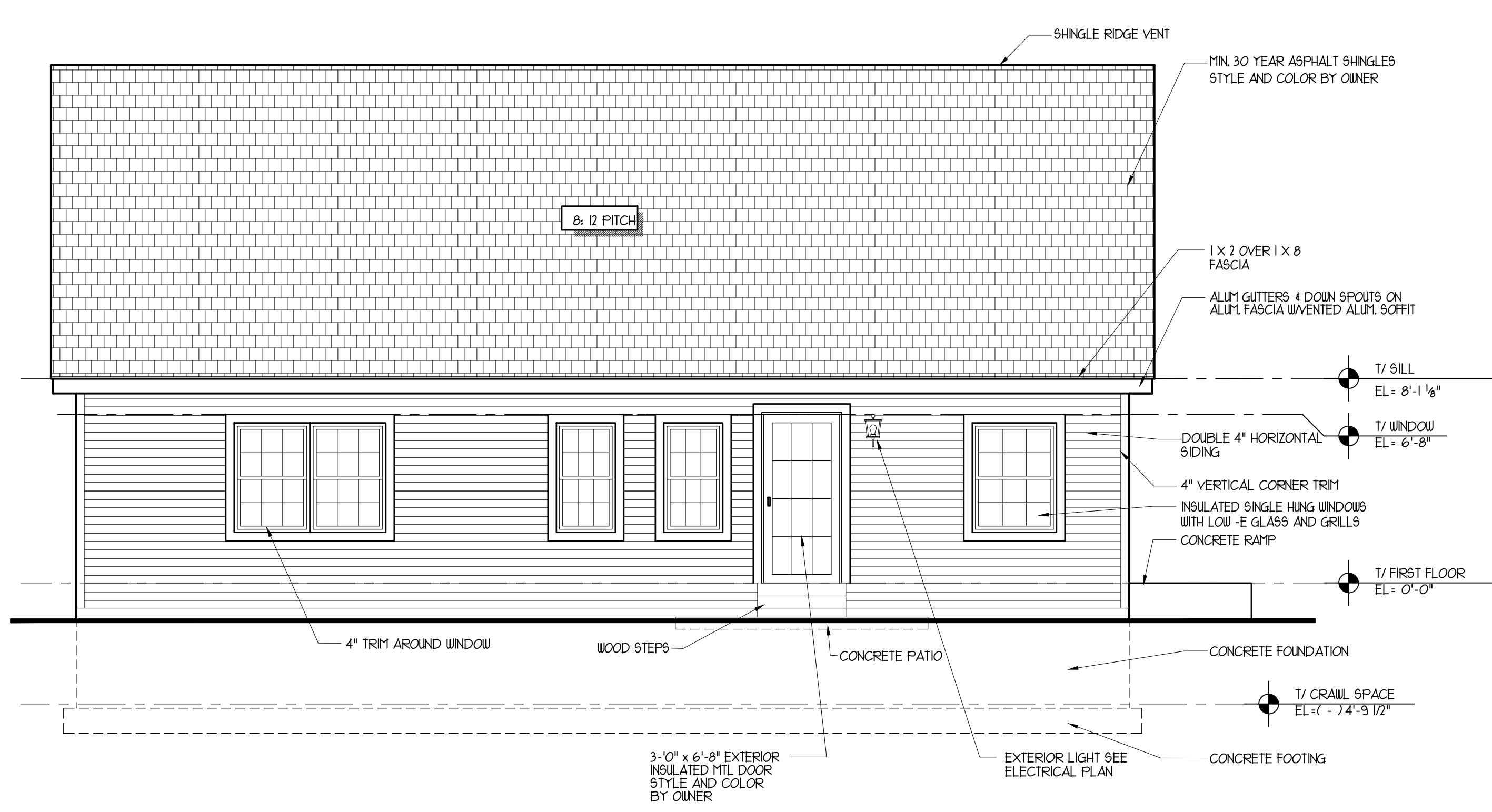


TYP. COL FTG DETAIL
 SCALE: 3/4" = 1'-0"

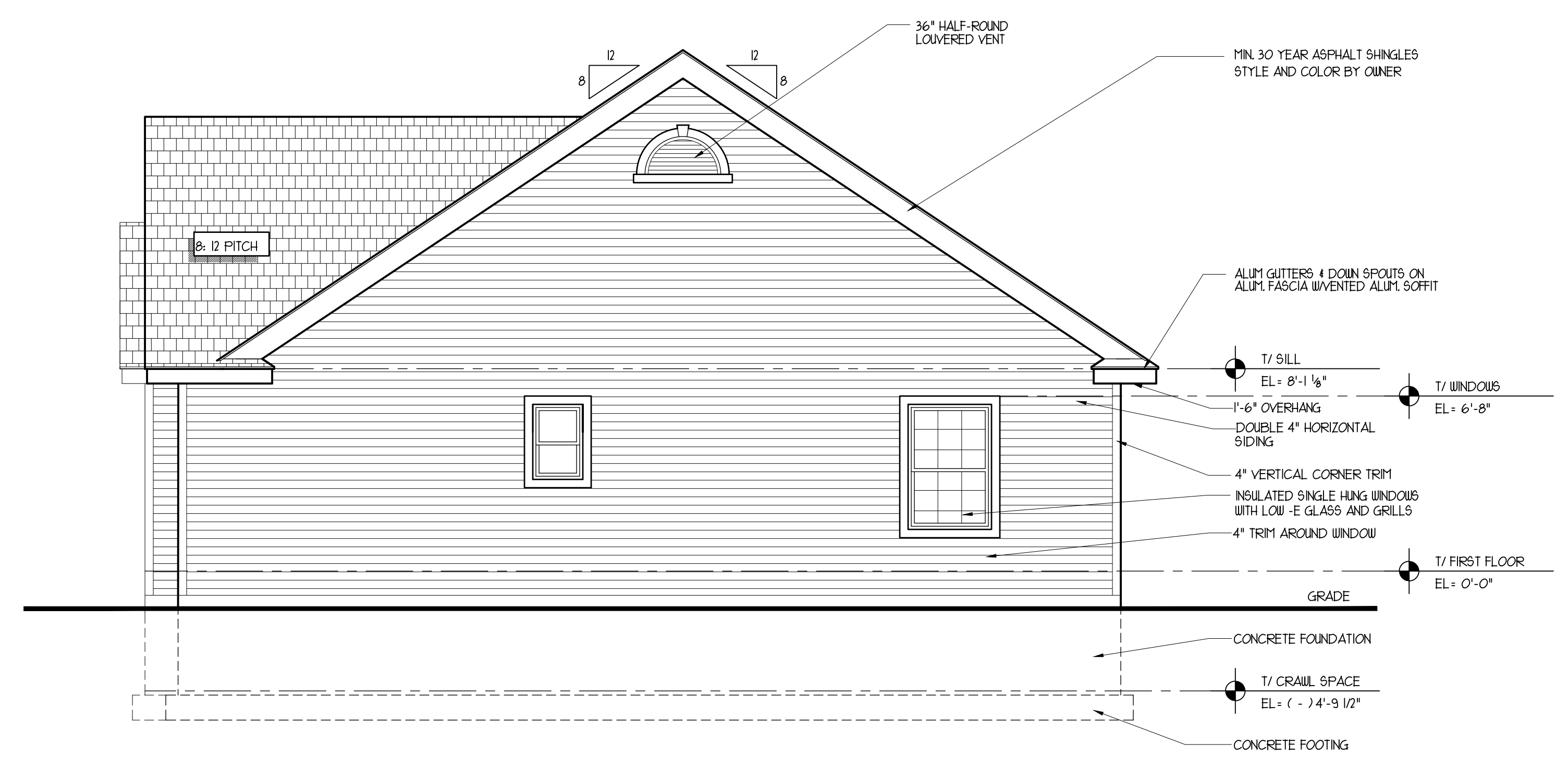
UNITED ARCHITECTS RESERVE COPYRIGHT AND OTHER RIGHTS RESTRICTING THESE DRAWINGS FOR THE ORIGINAL SITE OR PURPOSE FOR WHICH THEY WERE PREPARED. REPRODUCTIONS, CHANGES OR OTHER ASSIGNMENTS ARE PROHIBITED © 2016



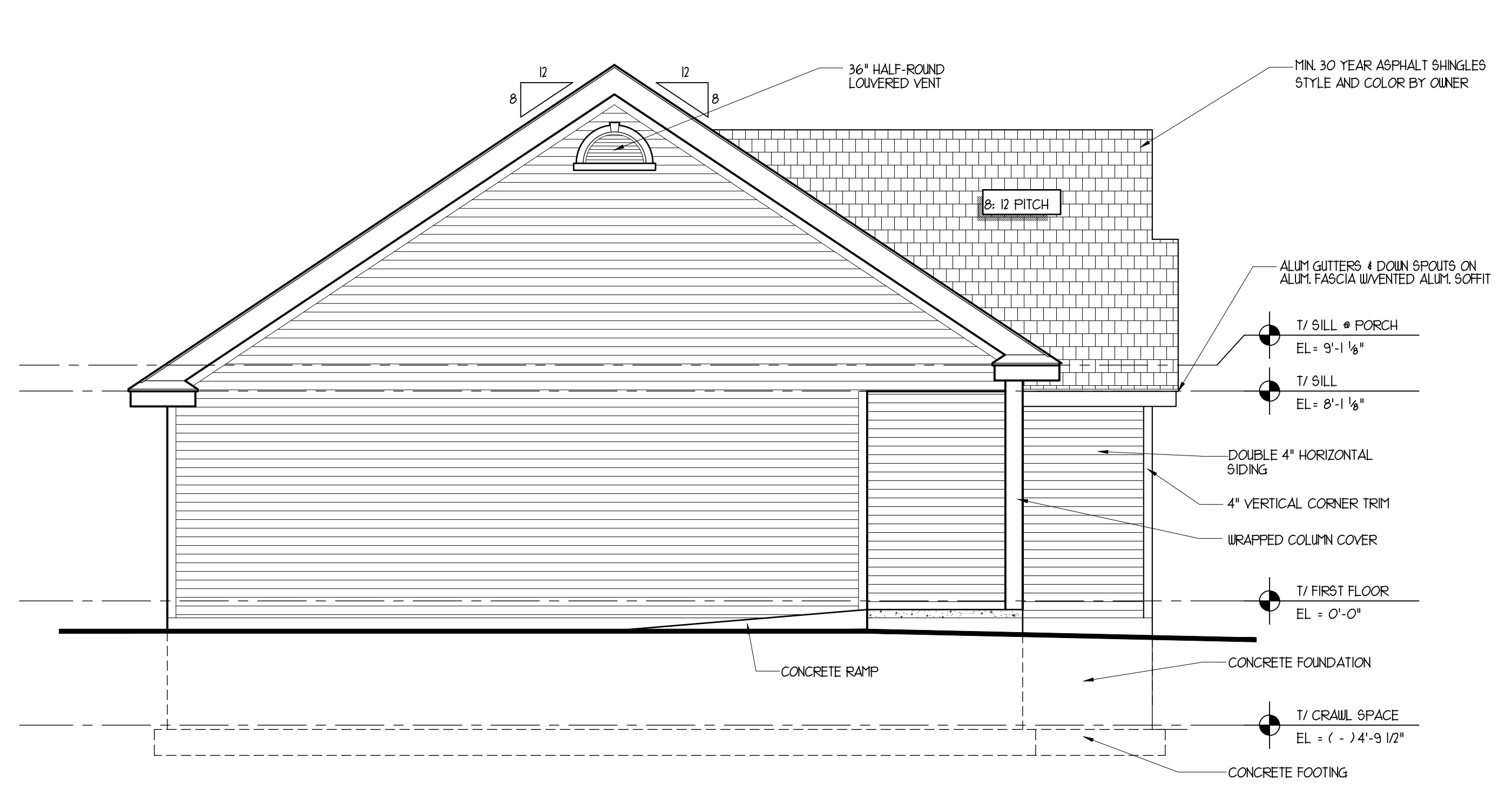
PROPOSED FRONT ELEVATION
 SCALE : 1/4" = 1'-0"



PROPOSED REAR SIDE ELEVATION
 SCALE : 1/4" = 1'-0"



PROPOSED RIGHT SIDE ELEVATION
 SCALE : 1/4" = 1'-0"



PROPOSED LEFT SIDE ELEVATION
 SCALE : 1/4" = 1'-0"

ISSUED FOR BUILDING PERMIT MARCH 10, 2016

REVISION NO.	DATE	REMARKS

PROPOSED RANCH HOUSE
 FOR : THE CITY OF JOLIET
 JOLIET, IL.

DRAWN BY: R.P. A.D.
 CHECKED BY: BOB GEBEL
 DATE : MARCH 10, 2016
 PROJECT NO: 16-07
 TITLE: ELEVATIONS

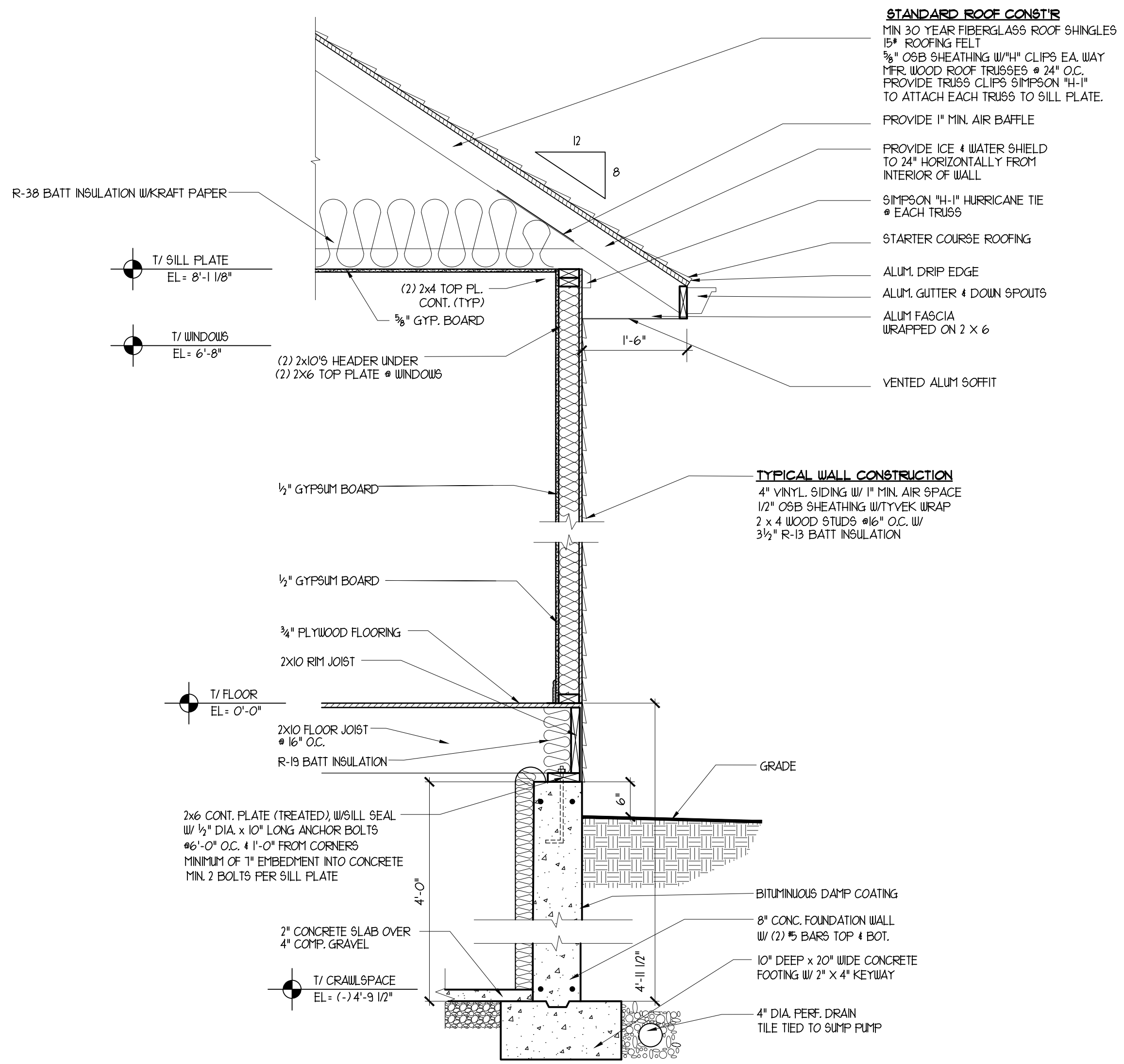
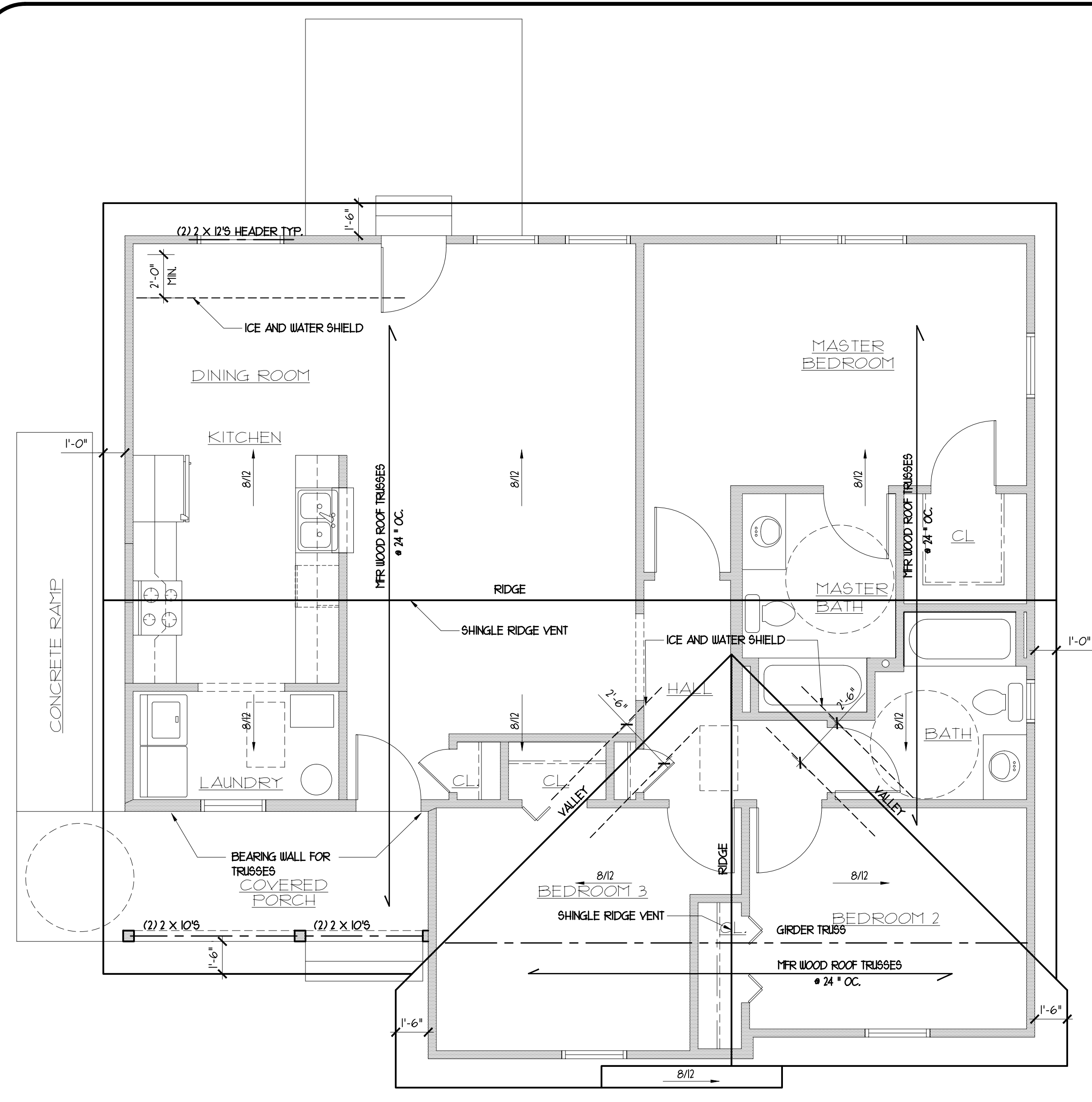
UNITED ARCHITECTS RESERVE COPYRIGHT AND OTHER RIGHTS RESTRICTING THESE DRAWINGS FOR THE ORIGINAL SITE OR PURPOSE FOR WHICH THEY WERE PREPARED. REPRODUCTIONS CHANGES OR OTHER ASSIGNMENTS ARE PROHIBITED. © 2016

REVISION NO.	DATE	REMARKS

PROPOSED RANCH HOUSE
 FOR: THE CITY OF JOLIET
 JOLIET, IL.

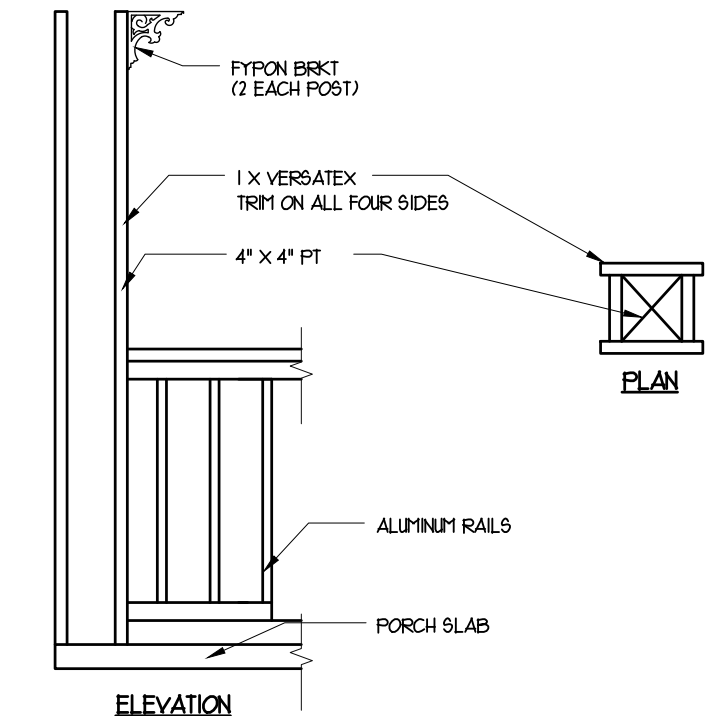
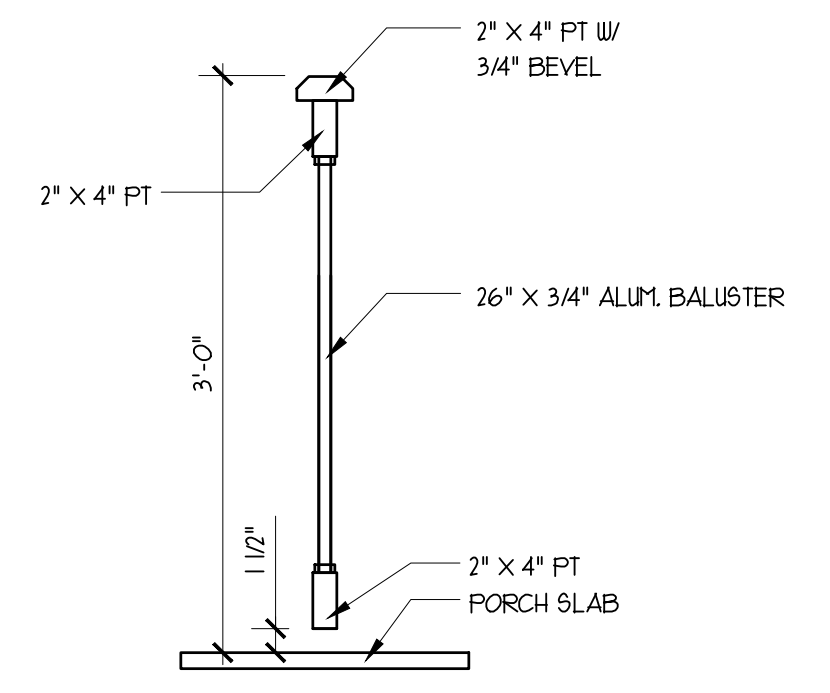
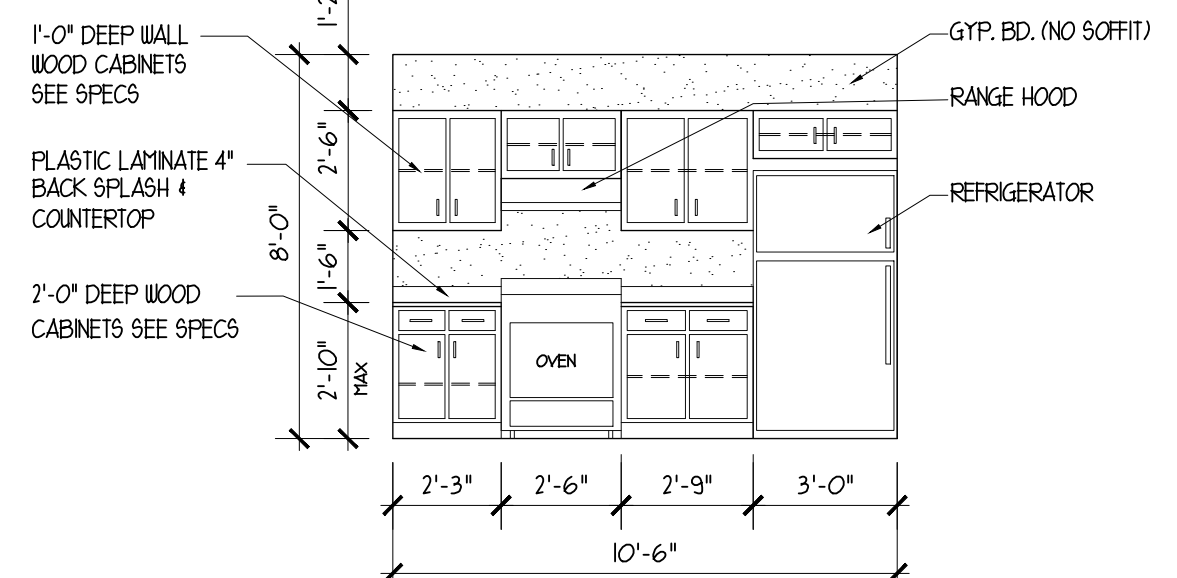
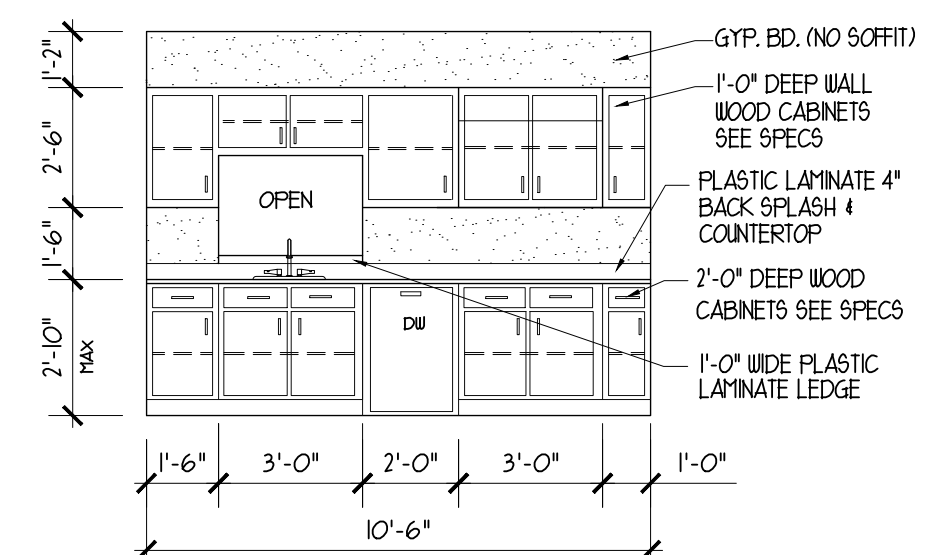
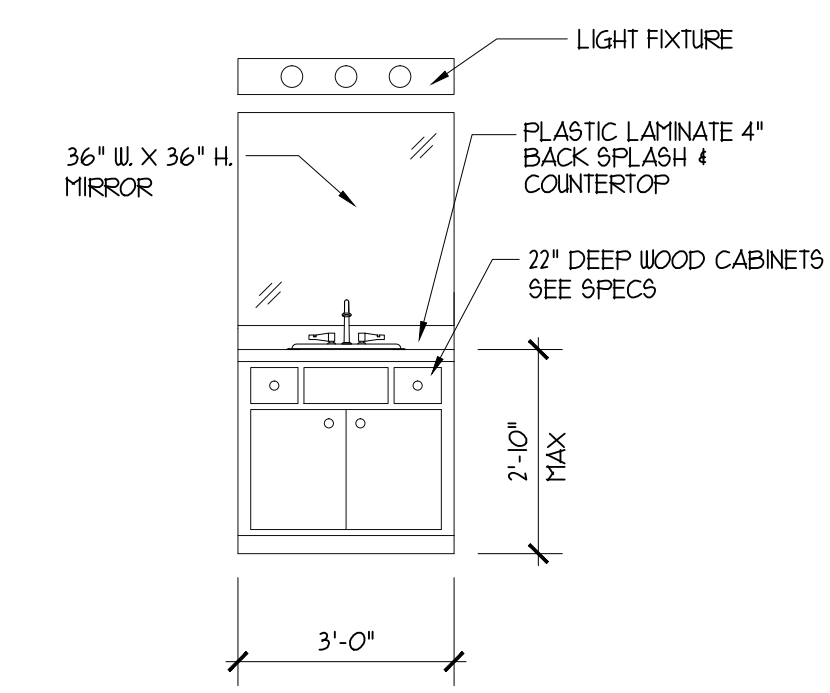
DRAWN BY: R.P. A.D.
 CHECKED BY: BOB GEBEL
 DATE: MARCH 10, 2016
 PROJECT NO: 16-07
 TITLE: ROOF PLAN & DETAILS

ISSUED FOR BUILDING PERMIT MARCH 10, 2016

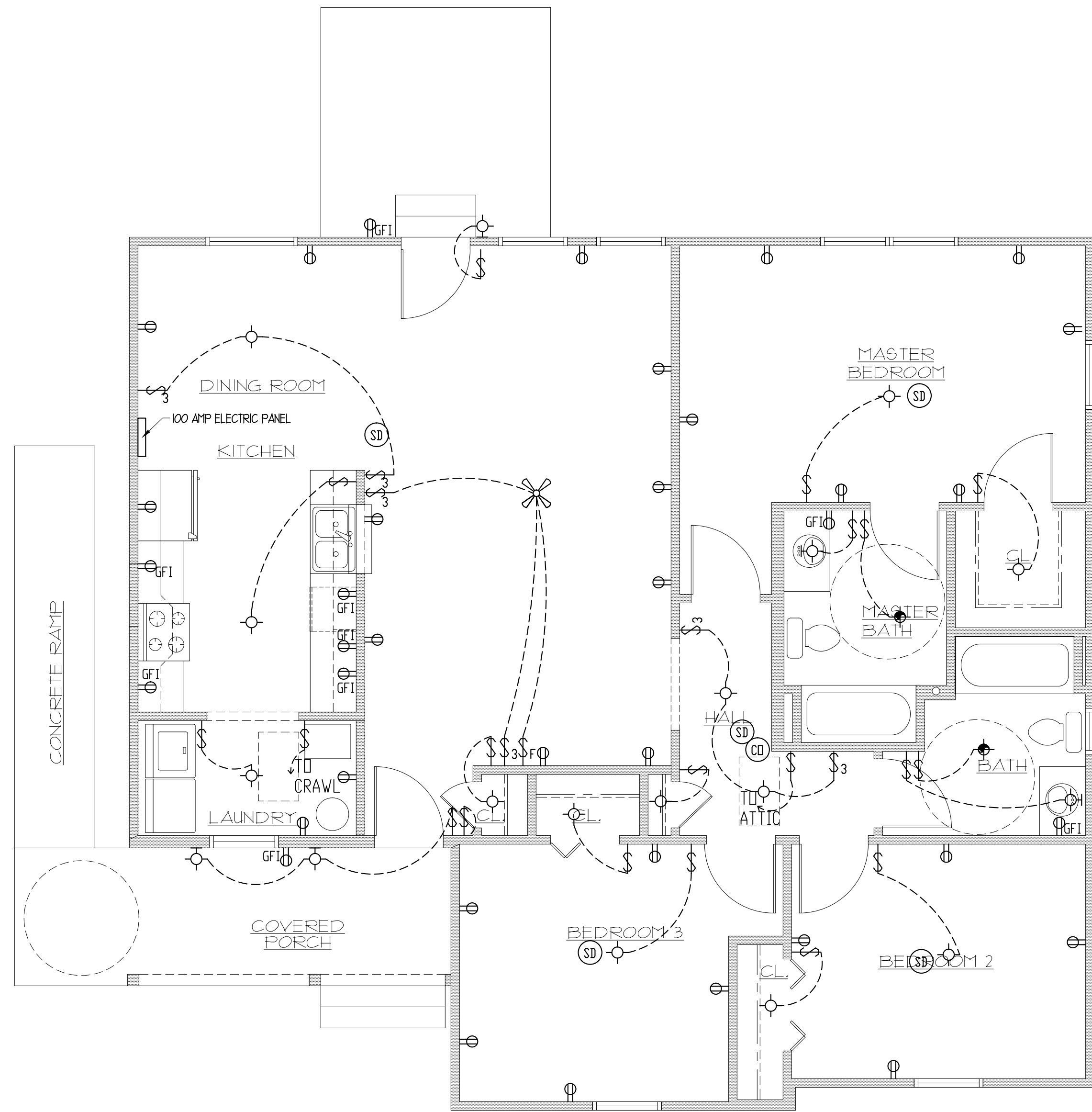


PROPOSED ROOF PLAN
 SCALE: 1/4" = 1'-0"
 PROJECT NORTH

1 TYPICAL WALL SECTION
 SCALE: 3/4" = 1'-0"



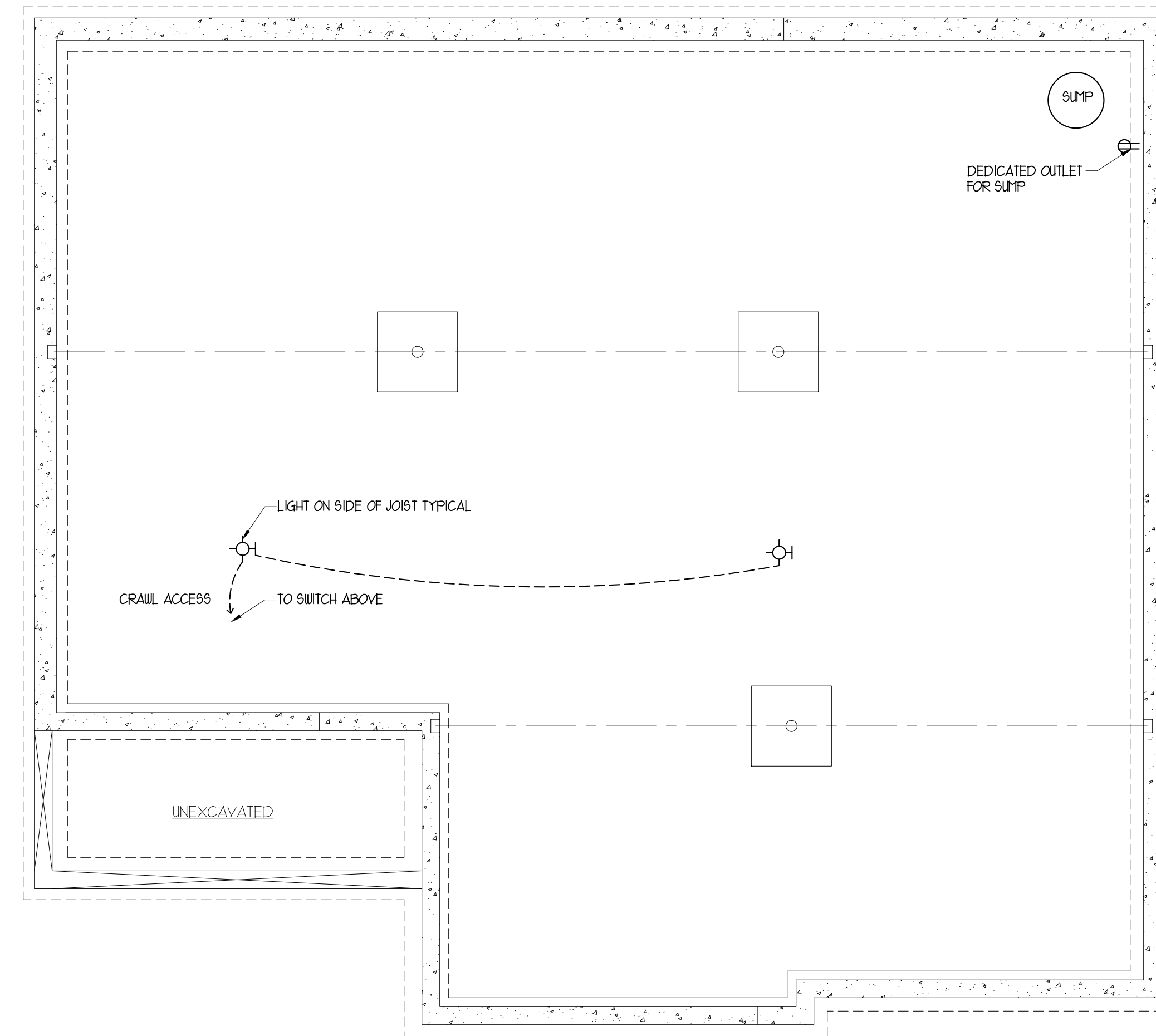
UNITED ARCHITECTS RESERVE COPYRIGHT AND OTHER RIGHTS RESTRICTING THESE DRAWINGS FOR THE ORIGINAL SITE OR PURPOSE FOR WHICH THEY WERE PREPARED. REPRODUCTIONS CHANGES OR OTHER ASSIGNMENTS ARE PROHIBITED © 2016



ELECTRICAL PLAN
 SCALE : 1/4" = 1'-0"
 PROJECT NORTH

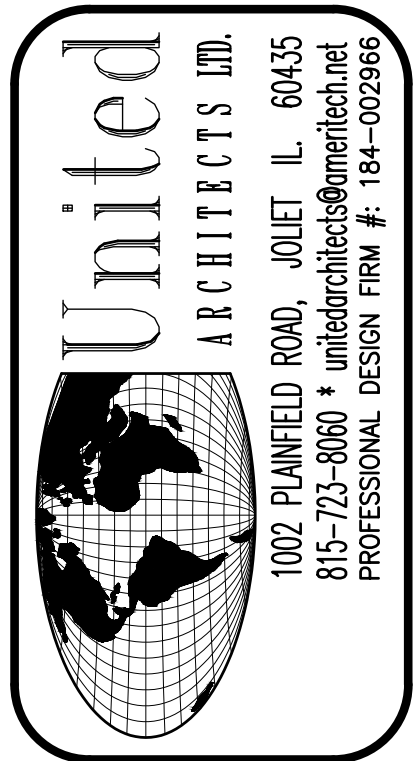
ELECTRICAL KEY	
Ⓢ	CARBON MONOXIDE DETECTOR
⊕	EXHAUST FAN LIGHT COMBINATION
⚡	EXTERIOR FLOOD LIGHTS
⊕	WALL SCENE
⊕	STANDARD LIGHT
⊕ _{PC}	PULL CHAIN LIGHT FIXTURE
Ⓢ _{GF}	GROUND FAULT CIRCUIT INTERRUPTER
⊕	DUPLEX OUTLET
⊕ _{OH}	OVERHEAD DUPLEX OUTLET
Ⓢ	LIGHT SWITCH
Ⓢ ₃	THREE WAY LIGHT SWITCH
Ⓢ _F	SWITCH FOR FAN
Ⓢ _{SD}	SMOKE DETECTOR
⊕	FAN LIGHT

- ### NOTES FOR ELECTRICAL PLAN
- ELECTRIC PANEL BOARDS SHALL BE GROUNDED TO WATER LINE WITH INSULATED WIRE, 1/8 MIN. GROUND JUMPER ACROSS WATER METER.
 - ALL LIGHT FIXTURES ARE TO BE APPROVED BY OWNER PRIOR TO INSTALLATION.
 - A CARBON MONOXIDE DETECTOR SHALL BE REQUIRED AT EACH SLEEPING LEVEL.
 - * ARC FAULT PROTECTION * TO BE ALL CIRCUIT SUPPLYING POWER TO SLEEPING AREAS.
 - 110 VOLT SMOKE DETECTOR W/ BATTERY BACK UP TO BE INSTALLED IN EACH BEDROOM, SEE SPECIFICATIONS FOR SMOKE & CARBON MONOXIDE DETECTORS.
 - INTERCONNECT ALL DETECTORS- SO THAT IF ONE ALARMS, ALL ALARM A DEVICE MUST BE LOCATED WITHIN 15' OF EACH BEDROOM DOOR (TYP.).
 - ALL BATHROOM EXHAUST FANS TO BE DIRECTLY VENTED THROUGH EXTERIOR WALL OR ROOF OPENINGS.
 - REQUIRED GROUND FAULT CIRCUIT INTERRUPTERS- (GFI) ARE REQUIRED IN EVERY BATHROOM, ALL GARAGE RECEPTACLES, ALL EXTERIOR RECEPTACLES, ALL KITCHEN COUNTERTOP RECEPTACLES, AND ALL BASEMENT RECEPTACLES.
 - WIRING SHALL BE IN RIGID METAL CONDUIT.
 - ALL ELECTRICAL WORK SHALL BE DONE BY A LICENSED CONTRACTOR & ACCORDING TO THE NATIONAL ELECTRICAL CODE (NEC) 2002.
 - ONLY COOPER WIRE MAY BE USED.
 - ALL CLOSET LIGHTS SHALL BE:
 - A. RECESSED LIGHTS WITH 6" CLEARANCE BETWEEN FIXTURE AND NEAREST POINT OF STORAGE SPACE.
 - B. FLOURESCENT LIGHTS WITH 6" CLEARANCE BETWEEN FIXTURE AND NEAREST POINT OF STORAGE SPACE.
 - C. INCANDESCENT LIGHTS WITH 12" CLEARANCE BETWEEN FIXTURE AND NEAREST POINT OF STORAGE SPACE.
 - LIGHT FIXTURE ABOVE WHIRPOOL, TUBS AND SHOWERS SHALL BE GFI.
 - A MINIMUM OF 15 PERCENT OF INSTALLED LIGHT FIXTURES SHALL CONTAIN ONLY HIGH EFFICACY LAMPS- SUCH AS FLOURESCENT BULBS OR LED BULBS.
 - PROVIDE MINIMUM 1 LIGHT FIXTURE IN ATTIC.
 - LIGHT SWITCHES SHALL BE LOWER THAN STANDARD HEIGHT FOR ACCESSIBILITY. THEY SHALL BE LESS THAN 48" HIGH MOST LIKELY 3'-6" ± HIGH.
 - OUTLETS SHALL BE LOWER THAN STANDARD HEIGHT FOR ACCESSIBILITY. APPROXIMATELY 2'-0" ± HIGH.



UNITED ARCHITECTS RESERVE COPYRIGHT AND OTHER RIGHTS RESTRICTING THESE DRAWINGS FOR THE ORIGINAL SITE OR PURPOSE FOR WHICH THEY WERE PREPARED. REPRODUCTIONS, CHANGES OR OTHER ASSIGNMENTS ARE PROHIBITED. © 2016

ISSUED FOR BUILDING PERMIT MARCH 10, 2016

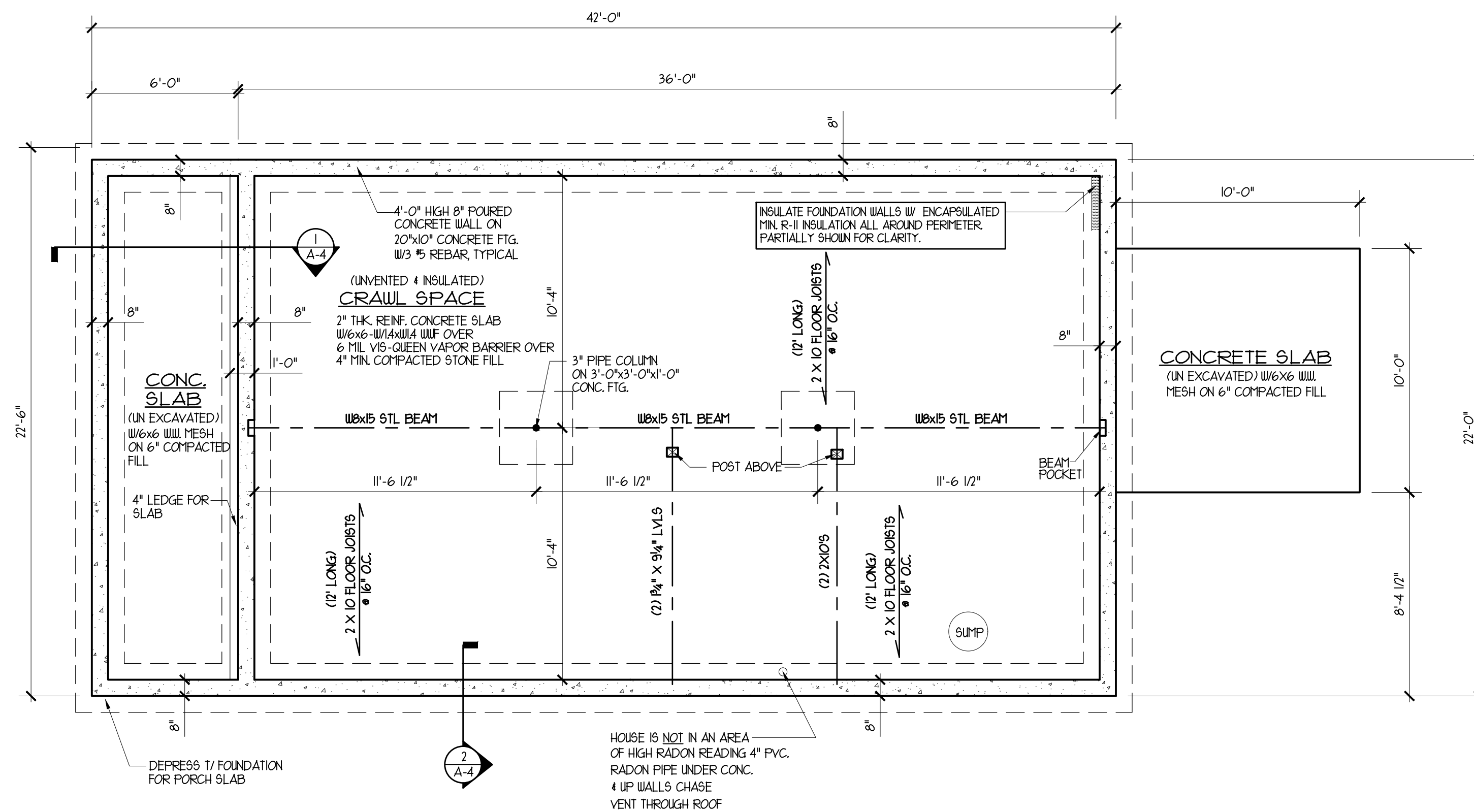


REVISION NO.	DATE	REMARKS

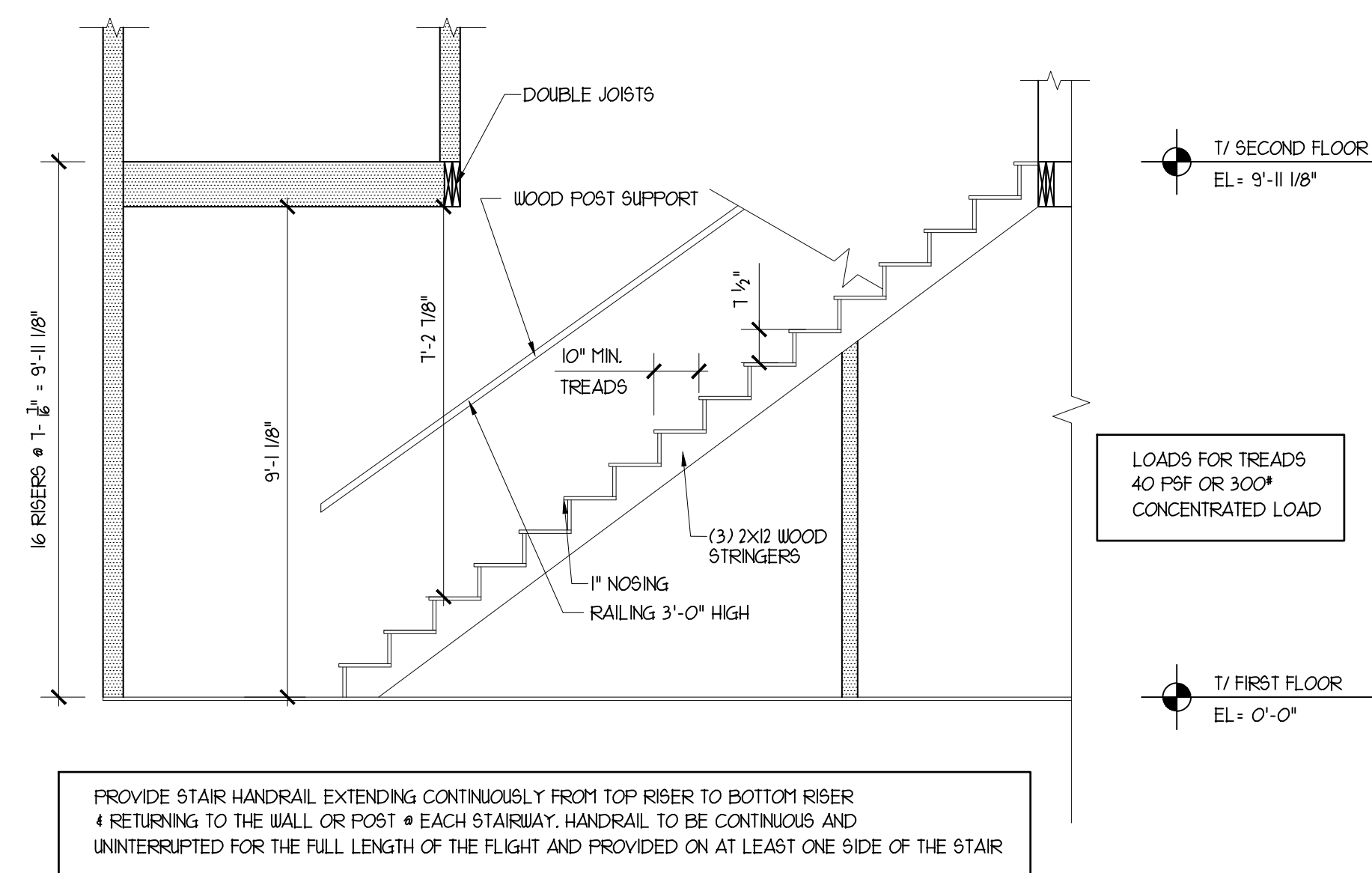
PROPOSED RANCH HOUSE
 FOR : THE CITY OF JOLIET
 JOLIET, IL.

DRAWN BY: R.P. A.D.
 CHECKED BY: BOB GEBEL
 DATE : MARCH 10 , 2016
 PROJECT NO: 16-07
 TITLE: ELECTRICAL PLAN

SHEET
 E-1



FOUNDATION PLAN
SCALE: 1/4" = 1'-0"
NORTH



STAIR SECTION
SCALE: 3/8" = 1'-0"

ADMINISTRATIVE NOTES

- OWNER SHALL BE CONSIDERED THE CITY OF JOLIET
- SEE ALSO PROJECT SPECIFICATIONS BOOK PROVIDED FOR DETAILED SPECIFICATIONS OF MATERIALS & INSTALLATIONS DESCRIPTIONS IN PROJECT SPECIFICATIONS TAKE PRECEDENCE OVER NOTES OR INFORMATION ON DRAWING SHEETS
- THIS ARCHITECT HAS NOT BEEN RETAINED TO SUPERVISE CONSTRUCTION OF THIS PROJECT. CONTRACTOR SHALL BE RESPONSIBLE FOR COORDINATING THE CONSTRUCTION BASED ON THE DRAWINGS.
- DO NOT SCALE DRAWINGS. WRITTEN DIMENSIONS TAKE PREFERENCE OVER SCALED DIMENSIONS.
- THE INFORMATION CONTAINED IN THESE DRAWINGS WAS OBTAINED PREVIOUSLY, IF CONDITIONS HAVE CHANGED SUBSEQUENT TO COMPLETION OF THE DRAWING (I.E. DESIGN CONTRACTOR, PREFABRICATED METAL BUILDING DESIGN OR SUPPLIER) THE ARCHITECT SHALL BE CONTACTED FOR REVISIONS TO THE DRAWINGS. IF NOT CONTACTED THE CONTRACTOR AND OWNER SHALL ASSUME RESPONSIBILITY FOR ANY VARIATIONS OR CHANGES FROM ANY INFORMATION, MATERIAL, ETC, ON THESE DRAWINGS.
- CONTRACTOR SHALL VERIFY ALL DIMENSIONS AND CONDITIONS IN THE FIELD PRIOR TO STARTING THE WORK.
- ALL DIMENSIONS ON STRUCTURAL DRAWINGS TO BE CHECKED AND COORDINATED AGAINST ARCHITECTURAL, MECHANICAL, AND ELECTRICAL DRAWINGS BY CONTRACTOR.
- THE CONTRACTOR, OWNER OR OTHER SHALL BE RESPONSIBLE FOR ANY DEVIATIONS OR CHANGES FROM THESE PLANS WITHOUT APPROVAL OF THE ARCHITECT.
- ALL CONSTRUCTION SHALL BE DONE BY A LICENSED CONTRACTOR AND ACCORDING TO THE INTERNATIONAL BUILDING CODE 2003 AND ANY LOCAL ORDINANCES.
- THE GENERAL CONTRACTOR SHALL BE RESPONSIBLE FOR COORDINATING THE LOCATION AND PLACEMENT OF INSERTS, HANGERS, SLEEVES, DUCTWORK, PADS AND ANCHOR BOLTS THAT ARE REQUIRED BY THE MECHANICAL EQUIPMENT. NO SLEEVES GREATER THAN 4 INCH DIAMETER OR ANY OPENINGS CLOSER THAN 12 INCHES TO A COLUMN SHALL BE ALLOWED IN THE CONCRETE WORK UNLESS SHOWN ON THE STRUCTURAL DRAWINGS OR APPROVAL BY THE STRUCTURAL ENGINEER OR ARCHITECT. THE GENERAL CONTRACTOR SHALL VERIFY ALL OPENINGS THROUGH FLOORS AND WALLS WITH MECHANICAL AND ELECTRICAL CONTRACTORS.
- THE INFORMATION CONTAINED ON THE STRUCTURAL DRAWINGS IS IN ITSELF INCOMPLETE AND VOID UNLESS USED IN CONJUNCTION WITH THE CONTRACT DOCUMENTS AND WITH ALL THE SPECIFICATIONS, TRADE PRACTICES, OR APPLICABLE STANDARDS, CODES, ETC, INCORPORATED THEREIN BY REFERENCE WHICH THE CONTRACTOR CERTIFIES KNOWLEDGE OF BY SIGNING THE CONTRACT.
- ALL PIPING SHALL BE DONE BY A LICENSED CONTRACTOR AND ACCORDING TO ILLINOIS STATE PLUMBING CODE 2004
- ALL ELECTRICAL WORK SHALL BE DONE BY A LICENSED CONTRACTOR AND ACCORDING TO THE NATIONAL ELECTRICAL CODE 2002
- ALL MECHANICAL WORK SHALL BE DONE BY A LICENSED CONTRACTOR AND ACCORDING TO THE INTERNATIONAL MECHANICAL CODE 2003
- ALL COLORS, FINISHES, MATERIALS AND PRODUCTS TO BE APPROVED BY OWNER FROM SAMPLES OR SPECIFICATIONS FURNISHED BY CONTRACTOR.
- CONTRACTOR TO ASSUME FULL RESPONSIBILITY FOR COMPLIANCE WITH THE CONSTRUCTION DOCUMENTS, FOR DIMENSIONS TO BE CONFIRMED AND CORRELATED ON THE JOB SITE AND INDIVIDUAL DRAWINGS OR SETS OF DRAWINGS FOR FABRICATION PROCESS AND CONSTRUCTION TECHNIQUES (INCLUDING EXCAVATION, SHORING, SCAFFOLDING, BRACING, ERECTION, FORM WORK, ETC.) FOR THE VARIOUS TRADES AND FOR SAFE CONDITIONS ON THE JOB SITE.
- ALL INSULATION & ENERGY CONSERVATION WORK SHALL BE DONE ACCORDING TO THE INTERNATIONAL ENERGY CONSERVATION CODE 2002
- STRUCTURAL LOADS -

ROOF LOADS	DECK LOADS
30 PSF LIVE LOAD 15 PSF DEAD LOAD	40 PSF LIVE LOAD 15 PSF DEAD LOAD
FIRST FLOOR LOADS	SECOND FLOOR LOADS
40 PSF LIVE LOAD 15 PSF DEAD LOAD	30 PSF LIVE LOAD 15 PSF DEAD LOAD
ATTIC FLOOR LOAD	
NO STORAGE 10 PSF LIVE LOAD 15 PSF DEAD LOAD	

FIRST FLOOR LIVING AREA = 792 SQ. FT.
SECOND FLOOR LIVING AREA = 792 SQ. FT.
TOTAL HOUSE AREA = 1,584 SQ. FT.

DRAWING INDEX

- A-1 FOUNDATION PLAN, SITE PLAN & NOTES
- A-2 FIRST & SECOND FLOOR PLANS & NOTES
- A-3 ELEVATIONS
- A-4 WALL SECTIONS
- E-1 ELECTRICAL PLANS

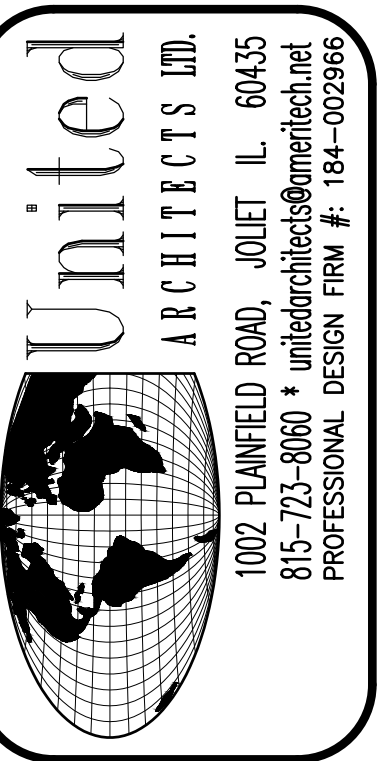
I hereby certify that these architectural drawings which include sheets listed in the drawing index were prepared by me and /or under my supervision and that to the best of my knowledge and belief they comply with the ordinances and building codes of City of Joliet, Illinois.

Robert J Gebel Jr., Architect
Illinois license no. 00103621
Date License Expires 11-30-2016

Architects signature

Date

UNITED ARCHITECTS RESERVE COPYRIGHT AND OTHER RIGHTS RESTRICTING THESE DRAWINGS FOR THE ORIGINAL SITE OR PURPOSE FOR WHICH THEY WERE PREPARED. REPRODUCTIONS CHANGES OR OTHER ASSIGNMENTS ARE PROHIBITED. © 2016



REVISION NO.	DATE	REMARKS

ISSUED FOR BUILDING PERMIT MARCH 14, 2016

PROPOSED TWO STORY HOUSE PLANS
FOR THE CITY OF JOLIET
JOLIET, ILLINOIS

DRAWN BY: R.P
CHECKED BY: BOB GEBEL
DATE: MARCH 14, 2016
PROJECT NO: 16-07
TITLE: FOUNDATION PLAN & NOTES

SHEET A-1

REVISION NO.	DATE	REMARKS

ISSUED FOR BUILDING PERMIT MARCH 14, 2016
 PROPOSED TWO STORY HOUSE PLANS
 FOR THE CITY OF JOLIET
 JOLIET, ILLINOIS

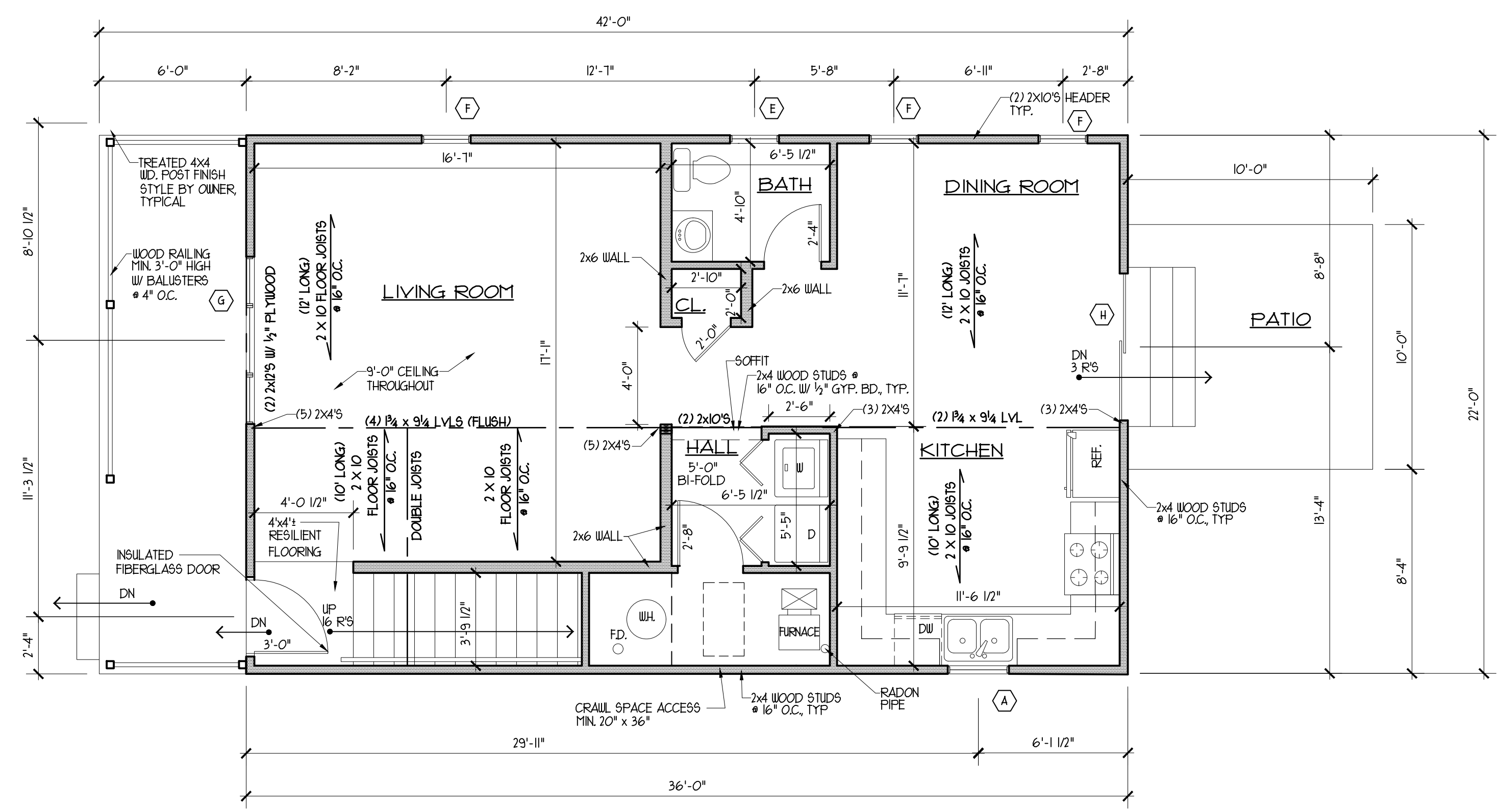
DRAWN BY:	R.P.
CHECKED BY:	BOB GEBEL
DATE:	MARCH 14, 2016
PROJECT NO.:	16-07
TITLE:	FIRST & SECOND FLOOR PLANS

GENERAL NOTES - SEE ALSO BIDDING REQUIREMENTS & SPECIFICATIONS BOOK PROVIDED

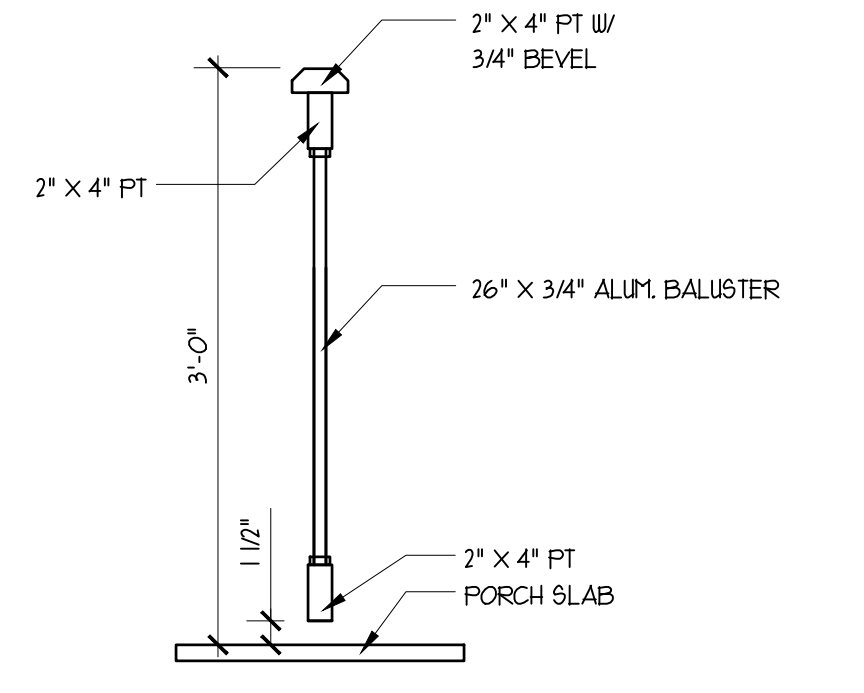
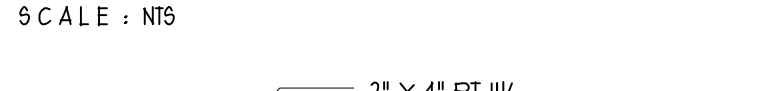
CONSTRUCTION NOTES & SPECIFICATIONS

- CONTRACTOR TO LOCATE ALL UNDERGROUND UTILITIES PRIOR TO COMMENCING WORK.
- ALL EXCAVATIONS SHALL BE SUBSTANTIALLY FREE OF WATER DURING FOUNDATION CONSTRUCTION WORK.
- ALL FOOTINGS SHALL BEAR ON UNDISTURBED SOIL CAPABLE OF SUPPORTING 2,000 PSF. ALL FOOTINGS SHALL BE MIN 3'-6" BELOW GRADE. THE BEARING CAPACITY OF THE SOIL IS TO BE DETERMINED BY THE CONTRACTOR BEFORE CONSTRUCTION BEGINS. SPECIFIC SOIL CONDITIONS AT VARIANCE WITH THIS SHALL BE BROUGHT TO THE ATTENTION OF THE ARCHITECT, BY THE CONTRACTOR.
- SITE GRADING SHALL DIRECT WATER AWAY FROM HOUSES.
- CONCRETE SHALL HAVE A MINIMUM 28 DAY COMPRESSIVE STRENGTH OF 3,000 PSI. ALL CONCRETE EXPOSED TO WEATHER SHALL HAVE AIR ENTRAINMENT OF 5% TO 8%.
- STEEL REINFORCEMENT SHALL CONFORM TO ASTM-615 GRADE 60. ANCHOR BOLTS SHALL CONFORM TO ASTM A-325.
- ALL STRUCTURAL STEEL SHALL BE ASTM A-36, A-50.
- WOOD FLOOR JOISTS, CEILING JOISTS, & ROOF RAFTERS SHALL HAVE A MINIMUM FIBER STRESS IN BENDING OF 850 PSI & A MINIMUM MODULUS OF ELASTICITY OF 1,000,000 PSI. EXAMPLE - SPRUCE-PINE-FIR NO. 2, DOUGLAS-FIR LARCH NO. 2, OR HEM-FIR NO. 2.
- PROVIDE SOLID WOOD BRIDGING @ MID-SPAN OF ALL WOOD 2 X MEMBER JOISTS & RAFTERS.
- PROVIDE DOUBLE JOISTS @ ALL PARALLEL WALLS ABOVE 4 AS SHOWN ON FRAMING PLANS. PROVIDE DOUBLE HEADERS AROUND OPENINGS IN FLOORS, CEILINGS, OR ROOFS.
- WOOD MICROLAM'S BEAMS NOTED AS LVL SHALL BE 2.0E LAMINATED VENEER LUMBER AS MANUFACTURED BY I-LEVEL BY MEYER HAEUBER.
- WOOD TIMBERSTRAND BEAMS SHALL BE USE LAMINATED STRAND LUMBER AS MANUFACTURED BY I-LEVEL BY MEYER HAEUBER.
- MANUFACTURED FLOOR & ROOF TRUSSES SHALL BE DESIGNED ACCORDING TO LIVE AND DEAD LOADS AND SHALL BE CERTIFIED BY A LICENSED STRUCTURAL ENGINEER.
- ALL WOOD STUDS SHALL BE SPRUCE-PINE-FIR, HEM-FIR OR DOUGLAS-FIR 2 GRADE OR BETTER (WITH A MINIMUM COMPRESSIVE STRENGTH PARALLEL TO THE GRAIN OF 800 PSI). ALL WOOD MEMBERS TO HAVE A MOISTURE CONTENT OF 19% OR LESS.
- WHERE WOOD FRAMING MEMBERS ARE SUPPORTED BY OTHER WOOD MEMBERS AT A SIMILAR ELEVATION, USE METAL JOIST HANGERS OF APPROPRIATE SIZES.
- ALL STRUCTURAL WOOD FRAMING TO BE 2" CLEAR OF FLUES, CHIMNEYS, AND FIREPLACES AND 6" CLEAR OF THE OPENINGS.
- ALL WOOD POSTS ARE TO BE (2) 2X4'S OR (3) 2X4'S AT CORNERS, EXCEPT WHERE NOTED.
- ALL EXTERIOR WOOD FRAMING & SILL PLATES ON FOUNDATIONS TO BE PRESURE TREATED.
- WOOD HEADERS TO BE (2) 2 X 4'S, UNLESS NOTED OTHERWISE.
- WINDOW NUMBERS LISTED ON PLANS ARE VINYL WINDOWS AS MANUFACTURED BY JELD-WEN WINDOWS, SEE WINDOW SCHEDULE. PROVIDE TEMPERED SAFETY GLASS WHERE REQUIRED BY CODE. GLASS IN WINDOWS SHALL BE "LOW E" ARGON GAS FILLED INSULATING PERFORMANCE GLASS.
- PROVIDE AT LEAST ONE EGRESS WINDOW IN EACH SLEEPING ROOM. THE WINDOW SHALL HAVE A SILL HEIGHT NOT MORE THAN 44 INCHES ABOVE THE FLOOR. ALL EGRESS OR RESCUE WINDOWS FROM SLEEPING ROOMS MUST HAVE A MINIMUM NET CLEAR OPENING OF 5.7 SQUARE FEET. THE MINIMUM NET CLEAR OPENING HEIGHT SHALL BE 24 INCHES, & THE MINIMUM NET CLEAR OPENING WIDTH DIMENSION SHALL BE 20 INCHES.
- ALL OPERABLE WINDOWS SHALL HAVE SCREENS AND INTERIOR SASH LOCKS.
- ALL GLASS WITHIN TUB ENCLOSURES AND ANY GLASS WITHIN 18" OF THE FINISHED FLOOR SHALL BE SAFETY GLASS.
- INTERIOR DOORS SHALL BE WOOD HOLLOW CORE DOORS BY JELD-WEN OR CRAFTMASTERS EXTERIOR DOORS & GARAGE SHALL BE INSULATED HOLLOW METAL W/ U-VALUE OF LESS THAN .35 DOOR & GARAGE AND HOUSE SHALL BE A ONE HOUR RATED HOLLOW METAL.
- HOUSE ENTRANCE DOORS SHALL BE INSULATED HOLLOW METAL AS MANUFACTURED BY THERMA-TRU, FELLA, OR JELD-WEN SEE SPECIFICATIONS.
- ALL HARDWARE SHALL BE AS APPROVED BY OWNER.
- OVERHEAD GARAGE DOORS SHALL BE BUILDMARK MODEL AS MANUFACTURED BY RATNOR GARAGE DOORS, AND AS APPROVED BY OWNER- SEE SPECIFICATIONS.
- FLOORING SHALL BE AS APPROVED BY OWNER.
- WOOD TRIM FOR WINDOWS, DOORS, AND BASEBOARDS SHALL BE AS SPECIFIED IN SPECIFICATIONS.
- WALL INSULATION SHALL R-13 FIBERGLASS BATT INSULATION AS MANUFACTURED BY JOHNS-MANVILLE INTERNATIONAL INC, OWENS CORNING OR EQUAL.
- ATTIC-ROOF INSULATION SHALL BE R-38 FIBERGLASS INSULATION AS MANUFACTURED BY JOHNS-MANVILLE INTERNATIONAL INC, OWENS CORNING OR EQUAL.
- VINYL SIDING SHALL BE DOUBLE 4" SIDING AS MANUFACTURED BY CERTANTEED OR OTHERS IN SPECIFICATIONS.
- ROOFING SHALL BE ASPHALT/FIBERGLASS SHINGLES-MIN. 30 YEAR CLASS A SHINGLE BY CERTANTEED, GAF, GLOBE, OR OWENS-CORNING.
- RIDGE & HIP VENTS SHALL BE COR-A-VENT "V-400" USE WITH ALUMINUM SOFFIT VENTS. THE TOTAL NET VENTILATING AREA SHALL NOT BE LESS THAN 1/50TH OF THE AREA TO BE VENTILATED, EXCEPT THAT THE AREA MAY BE 1/50TH IF AT LEAST 50% OF THE REQUIRED VENTILATING AREA IS PROVIDED BY MECHANICAL VENTILATORS.
- PROVIDE ALUMINUM GUTTERS & DOWNSPOUTS FOR THE ENTIRE HOUSE. DRAIN ALL DOWNSPOUTS AWAY FROM HOUSE.
- GYPSONUM BOARD SHALL BE 1/2" GYPSONUM BOARD. PROVIDE 5/8" TYPE "X" FIRE RESISTANT GYPSONUM BOARD @ WALLS & CEILING BETWEEN GARAGE AND HOUSE PROVIDE 5/8" GYPSONUM BOARD ON ALL FRAMING @ 2'-0" O.C. PROVIDE WATER-RESISTANT GYPSONUM BOARD IN ALL WET AREAS.
- PRIME W/ COAT & PAINT W/ 2 COATS ALL NEW WALL AND EXPOSED CEILING SURFACES- SEE SPECIFICATIONS.
- SMOKE DETECTORS SHALL BE LOCATED AS SHOWN ON PLANS, AND/OR AT LEAST ONE ON EACH FLOOR, EACH SLEEPING ROOM, AND EACH HALL TO BEDROOMS. SMOKE DETECTORS SHALL BE INTERCONNECTED & WIRED TO THE ELECTRICAL POWER, SO THAT THE ACTIVATION OF ONE DETECTOR WILL ACTIVATE ALL ALARMS.
- DUCT ALL EXHAUST FANS TO THE EXTERIOR- BATHROOM FAN, KITCHEN FAN, DRYER VENT, ETC.
- STAIRS - RISERS 1 3/4" MAXIMUM. TREADS: 10" MINIMUM. 6'-8" MINIMUM HEADROOM.
- ALL CLOSETS TO HAVE ONE SHELF AND ONE CLOTHES POLE UNLESS OTHERWISE NOTED. LINEN AND PANTRY CLOSETS TO HAVE FIVE SHELVES.
- GENERAL CONTRACTOR IS TO PROVIDE AND INSTALL FLASHING AT ALL ENTRANCE SLABS ADJACENT TO WALL CONSTRUCTION.
- PROVIDE ALUMINUM FLASHING AT ALL WALL / ROOF INTERSECTIONS TO INSURE WATERTIGHT CONDITIONS.
- ALL SKYLIGHTS, METAL FLUES, VENTS, STACKS, OR OTHER ROOF ACCESSORIES REQUIRING FLASHINGS SHALL BE INSTALLED AS PER MANUFACTURERS SPECIFICATIONS.
- COORDINATE ALL MECHANICAL SYSTEMS WITH OWNER & CONTRACTOR.
- MECHANICAL DUCTWORK SHALL BE WITHIN THE THERMAL ENVELOPE (OR INSULATED SPACES) WHERE POSSIBLE.
- MECHANICAL DUCTWORK THAT IS OUTSIDE THE THERMAL ENVELOPE (IE ATTIC SPACE) SHALL BE INSULATED TO R-8 FOR SUPPLY AND R-6 FOR ALL OTHERS.
- THE PIPING FOR THE WATER DISTRIBUTION SYSTEM SHALL BE TYPE L COPPER.
- FURNACE UNIT SHALL BE MIN. 92% EFFICIENT & SHALL BE PROVIDED W/ PROGRAMMABLE THERMOSTAT- SEE SPECS.
- WATER HEATER SHALL BE 40 GALLON CAPACITY & HAVE A MINIMUM EFFICIENCY RATING OF 62 CEE RATING W/ POWERVENT.
- KITCHEN & LAUNDRY APPLIANCES SHALL BE ENERGY STAR RATED.

UNITED ARCHITECTS RESERVE COPYRIGHT AND OTHER RIGHTS RESTRICTING THESE DRAWINGS FOR THE ORIGINAL SITE OR PURPOSE FOR WHICH THEY WERE PREPARED. REPRODUCTIONS CHANGES OR OTHER ASSIGNMENTS ARE PROHIBITED. © 2016



PORCH POST DETAIL

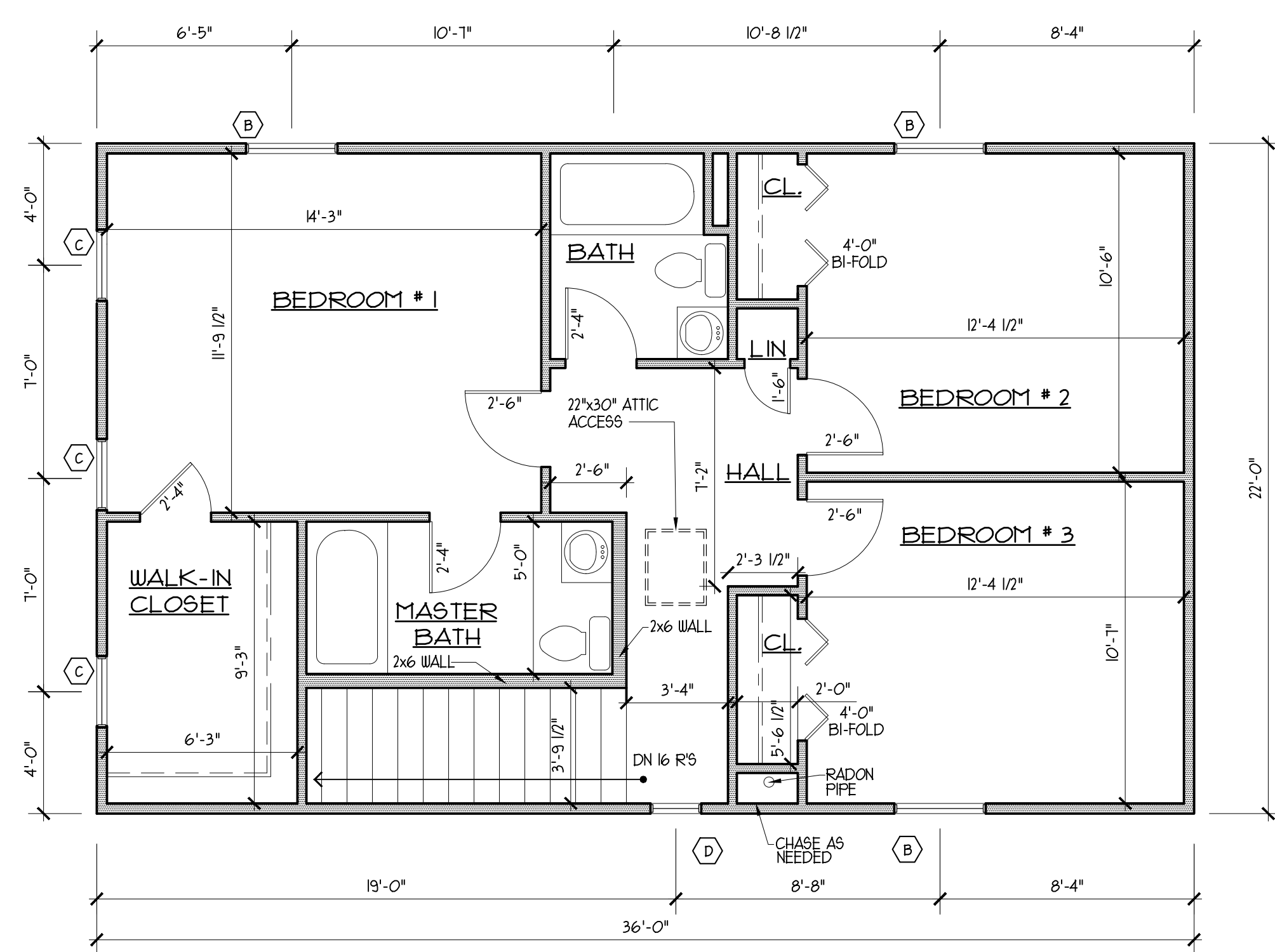


- NOTES
- ALL EXTERIOR WALL HEADERS (2) 2X4'S W/ 1/2" PLYWOOD
 - DIMENSIONS SHOWN ARE TO EDGES OF STUDS & EDGES OF EXTERIOR WALLS
 - PROVIDE 2x6 WOOD BLOCKING IN WALLS BEHIND TOILET & AT SIDE OF TOILET FOR FUTURE GRAB BARS
 - PROVIDE 2x6 MIN WOOD BLOCKING IN WALL ALONG STAIRS FOR FUTURE STAIR LIFT- COORDINATE W/ OWNER
 - PROVIDE PAN UNDER WASHER & SMALL DRAIN TUBE TO FLOOR DRAIN BY WATER HEATER

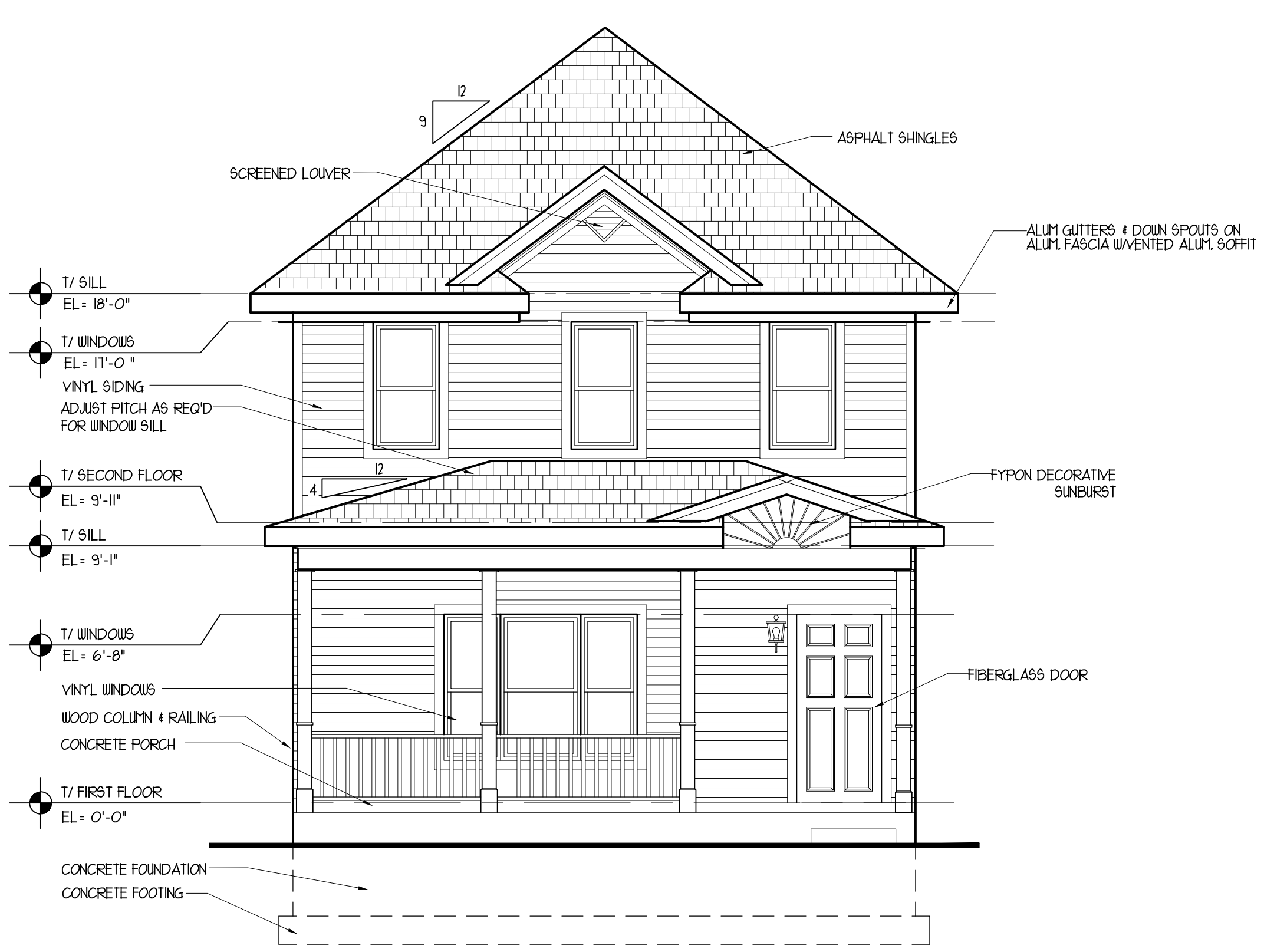
WINDOW SCHEDULE				
LTR.	QTY.	WINDOW SIZE	MODEL	DESCRIPTION
A	1	2'-6" X 2'-6"	2626	SINGLE HUNG WINDOW
B	3	3'-0" X 5'-0"	3050	SINGLE HUNG - EGRESS WINDOW
C	3	2'-4" X 4'-6"	2446	SINGLE HUNG WINDOW
D	1	1'-8" X 1'-8"	1818	PICTURE WINDOW-SAFETY GLASS
E	1	2'-0" X 2'-6"	2026	SINGLE HUNG WINDOW
F	3	2'-0" X 4'-6"	2046	SINGLE HUNG WINDOW
G	1	2'-0"/2'-10"/2'-0" X 5'-2"	-	(3) SINGLE HUNG'S MULLED TOGETHER
H	1	6'-0" X 6'-8"	6068	SLIDING DOOR

NOTE: ALL WINDOW MODEL "S" ARE SILVERLINE 2900 SERIES BY ANDERSON, AND CAN NOT BE SUBSTITUTED, UNLESS APPROVED BY THE OWNER.
 NOTE: MAXIMUM U-VALUE IN WINDOWS SHALL BE 0.28.

FIRST FLOOR PLAN
 SCALE: 1/4" = 1'-0"

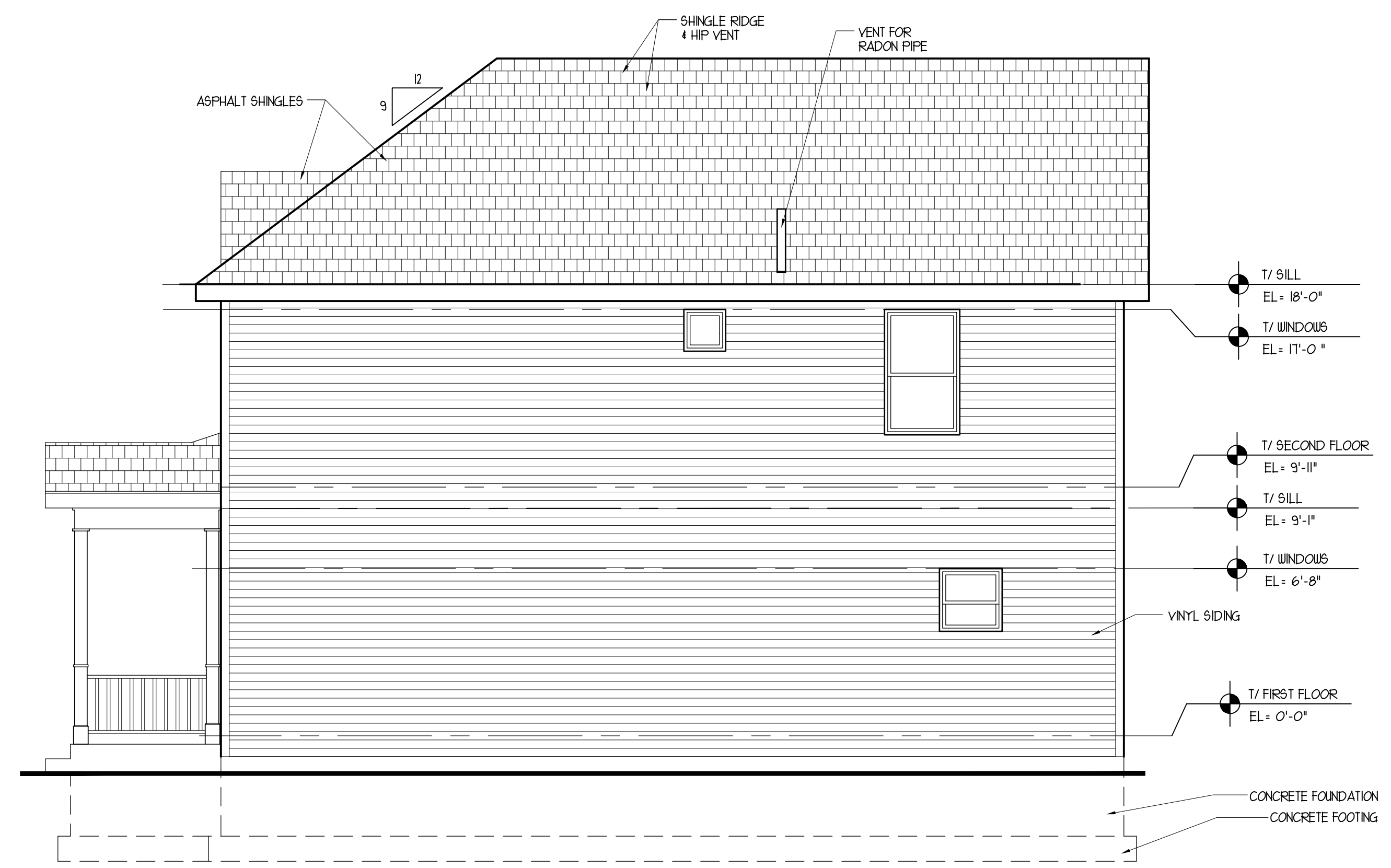


SECOND FLOOR PLAN
 SCALE: 1/4" = 1'-0"

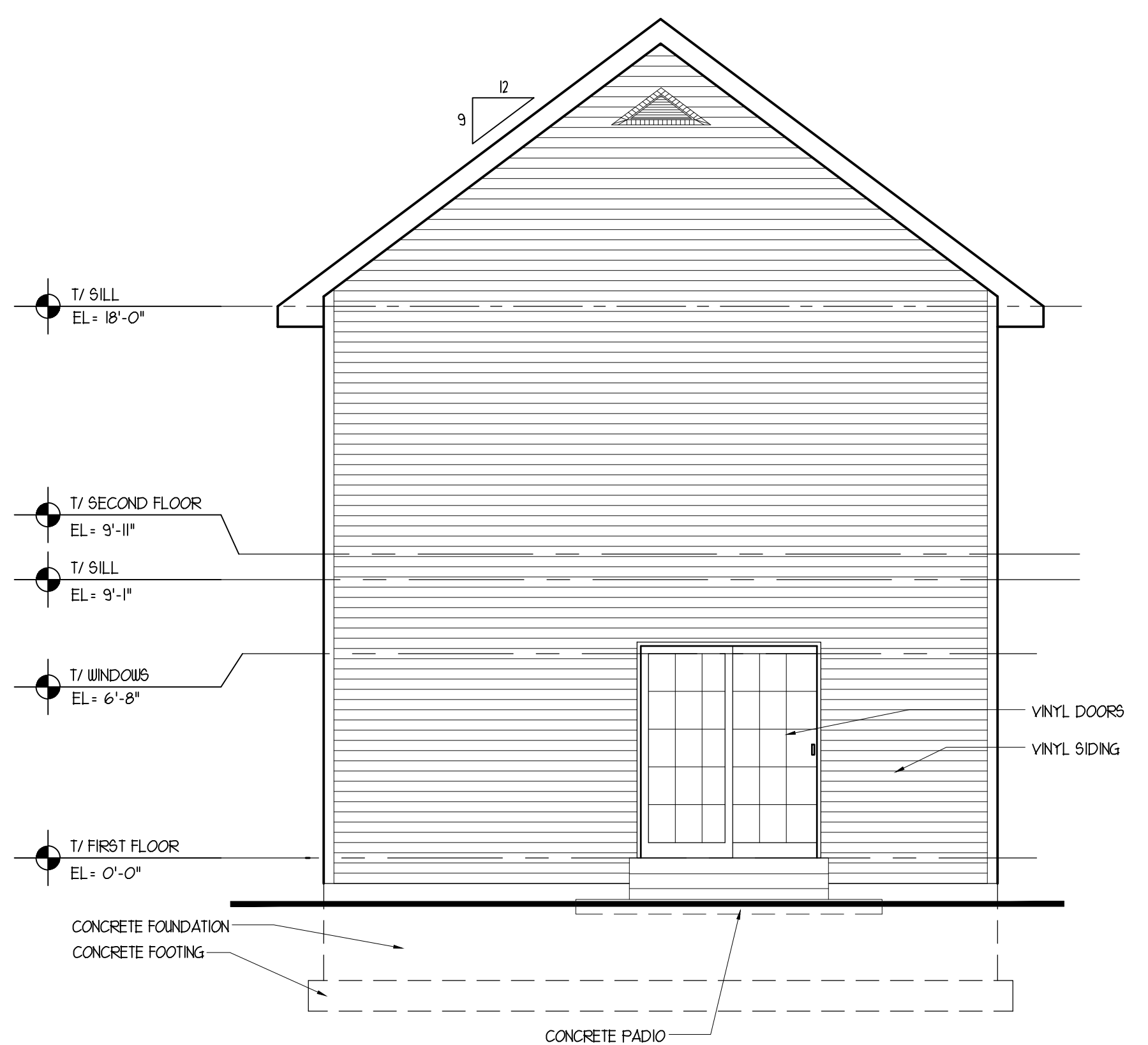


FRONT ELEVATION
 SCALE : 1/4" = 1'-0"

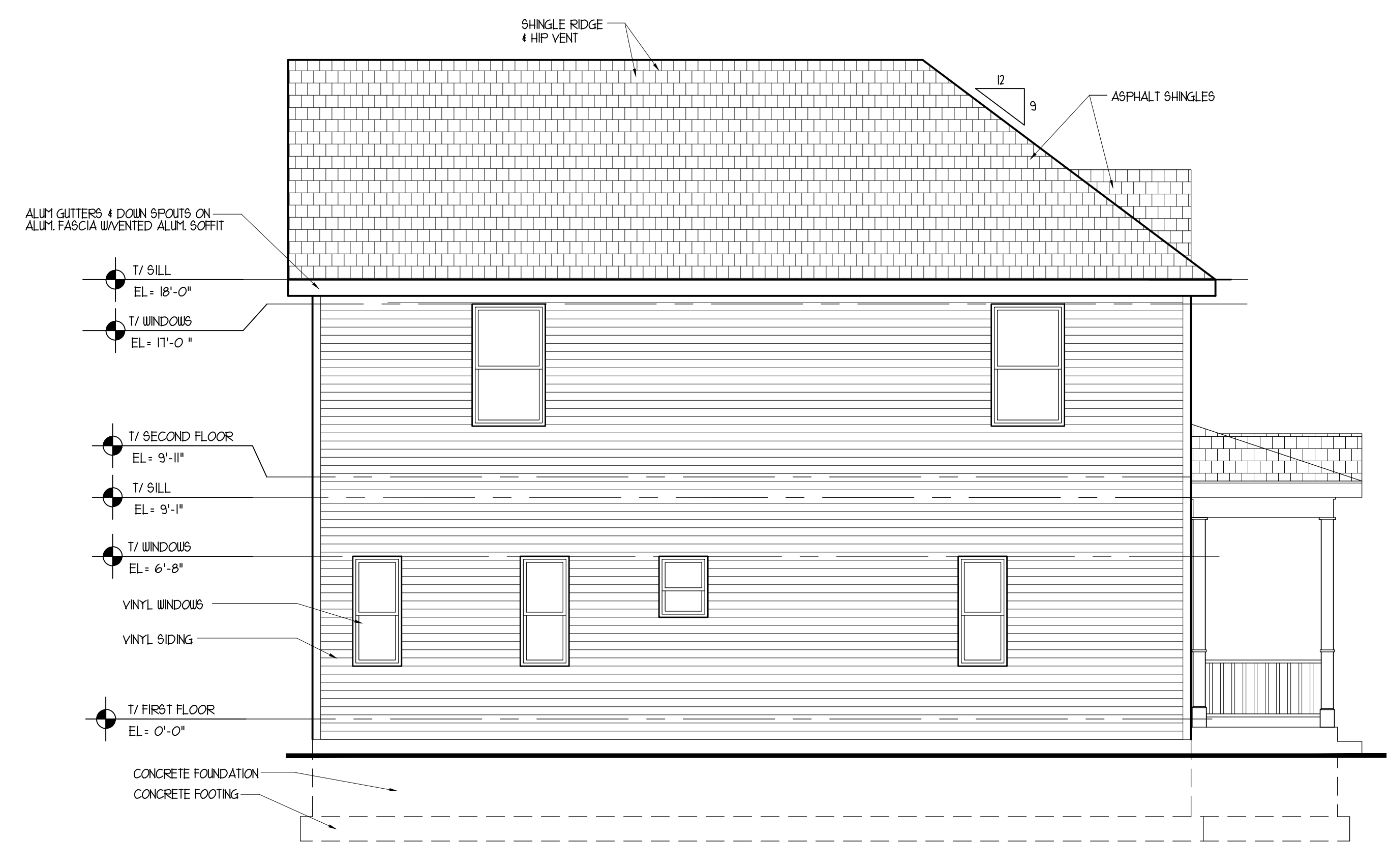
NOTE:
 • ALUM. GUTTERS & DOWNSPOUTS SHALL BE INSTALLED BY GC. GUTTERS SHALL BE MIN. 221 INCH THK. & DOWNSPOUTS MIN. 220" THK. METAL DOWNSPOUTS SHALL DISCHARGE # MIN. 24" AWAY FROM FOUNDATION. GUTTERS & DOWNSPOUTS NOT SHOWN ON ALL ELEVATIONS FOR GRAPHIC CLARITY.
 • TOP OF FOUNDATION WALL MUST NOT BE LESS THAN 6" ABOVE FINISHED GRADE FOR FRAME.



RIGHT ELEVATION
 SCALE : 1/4" = 1'-0"



REAR ELEVATION
 SCALE : 1/4" = 1'-0"



LEFT ELEVATION
 SCALE : 1/4" = 1'-0"

ISSUED FOR BUILDING PERMIT MARCH 14, 2016

REVISION NO.	DATE	REMARKS

PROPOSED TWO STORY HOUSE PLANS
 FOR THE CITY OF JOLIET
 JOLIET, ILLINOIS

DRAWN BY: R.P
CHECKED BY: BOB GEBEL
DATE: MARCH 14, 2016
PROJECT NO: 16-07
TITLE: ELEVATIONS

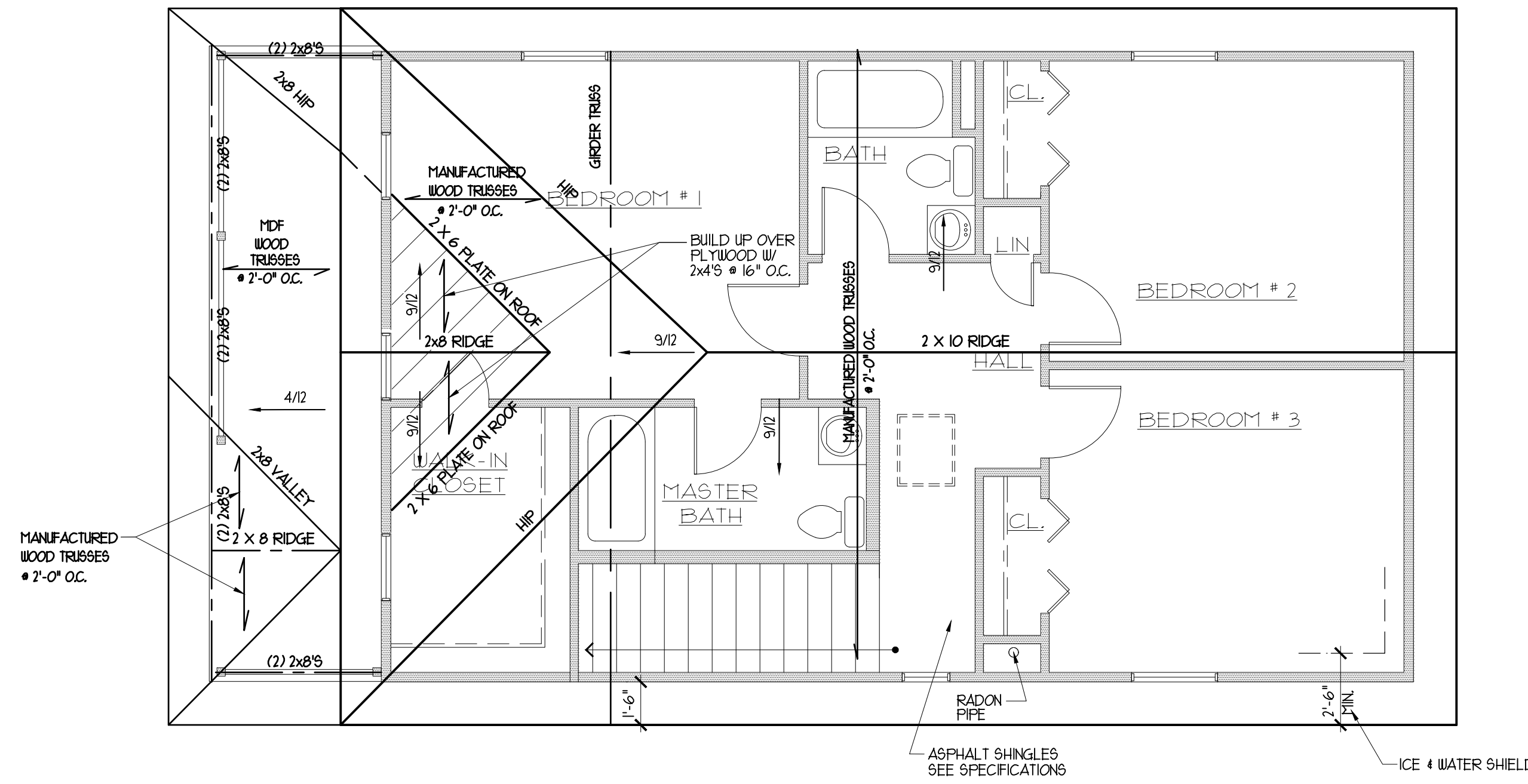
SHEET A-3

UNITED ARCHITECTS RESERVE COPYRIGHT AND OTHER RIGHTS RESTRICTING THESE DRAWINGS FOR THE ORIGINAL SITE OR PURPOSE FOR WHICH THEY WERE PREPARED. REPRODUCTIONS CHANGES OR OTHER ASSIGNMENTS ARE PROHIBITED. © 2016

REVISION NO.	DATE	REMARKS

ISSUED FOR BUILDING PERMIT MARCH 14, 2016
 PROPOSED TWO STORY HOUSE PLANS
 FOR THE CITY OF JOLIET
 JOLIET, ILLINOIS

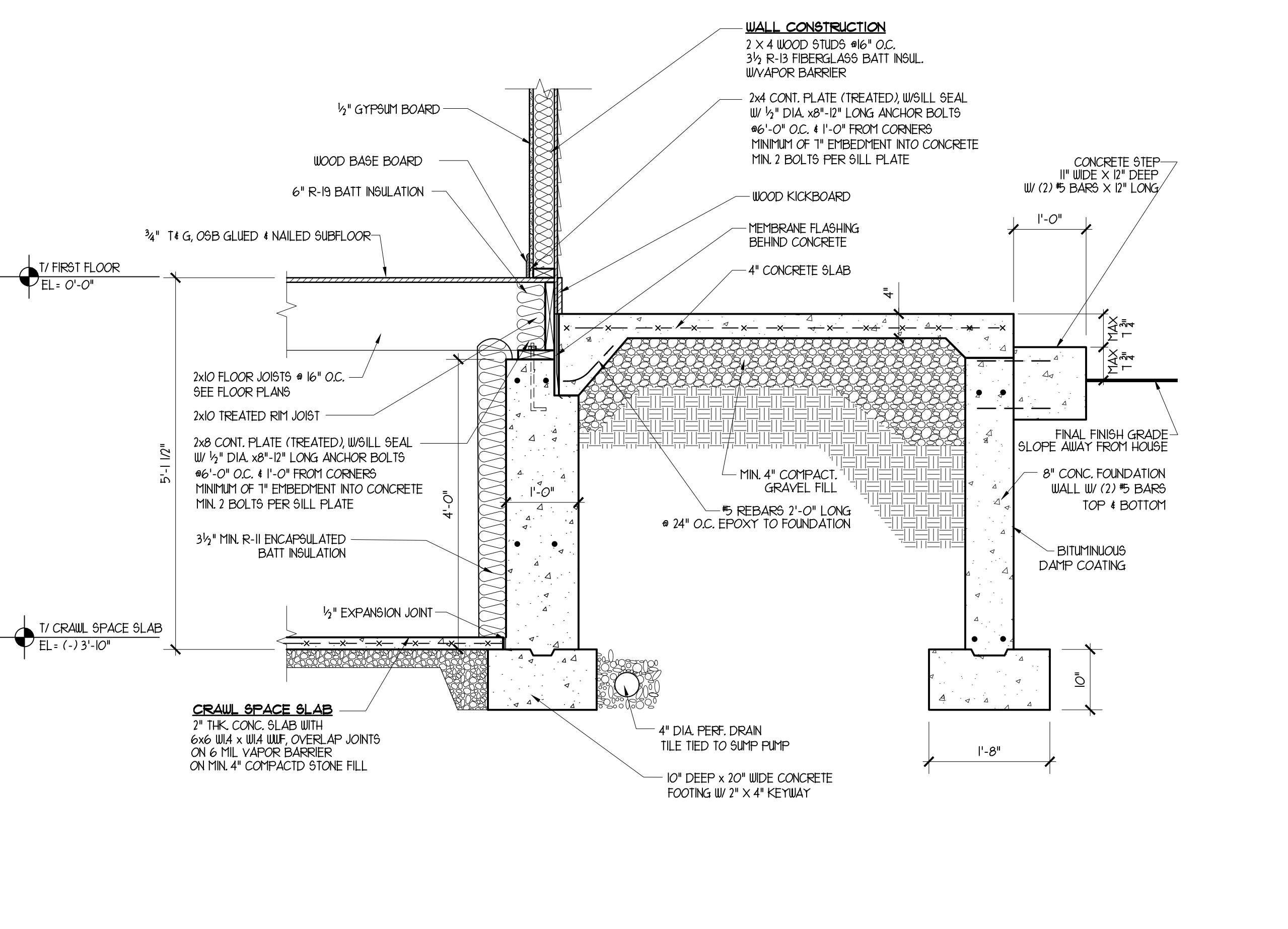
DRAWN BY: R.P
CHECKED BY: BOB GEBEL
DATE: MARCH 14, 2016
PROJECT NO: 16-07
TITLE: WALL SECTIONS



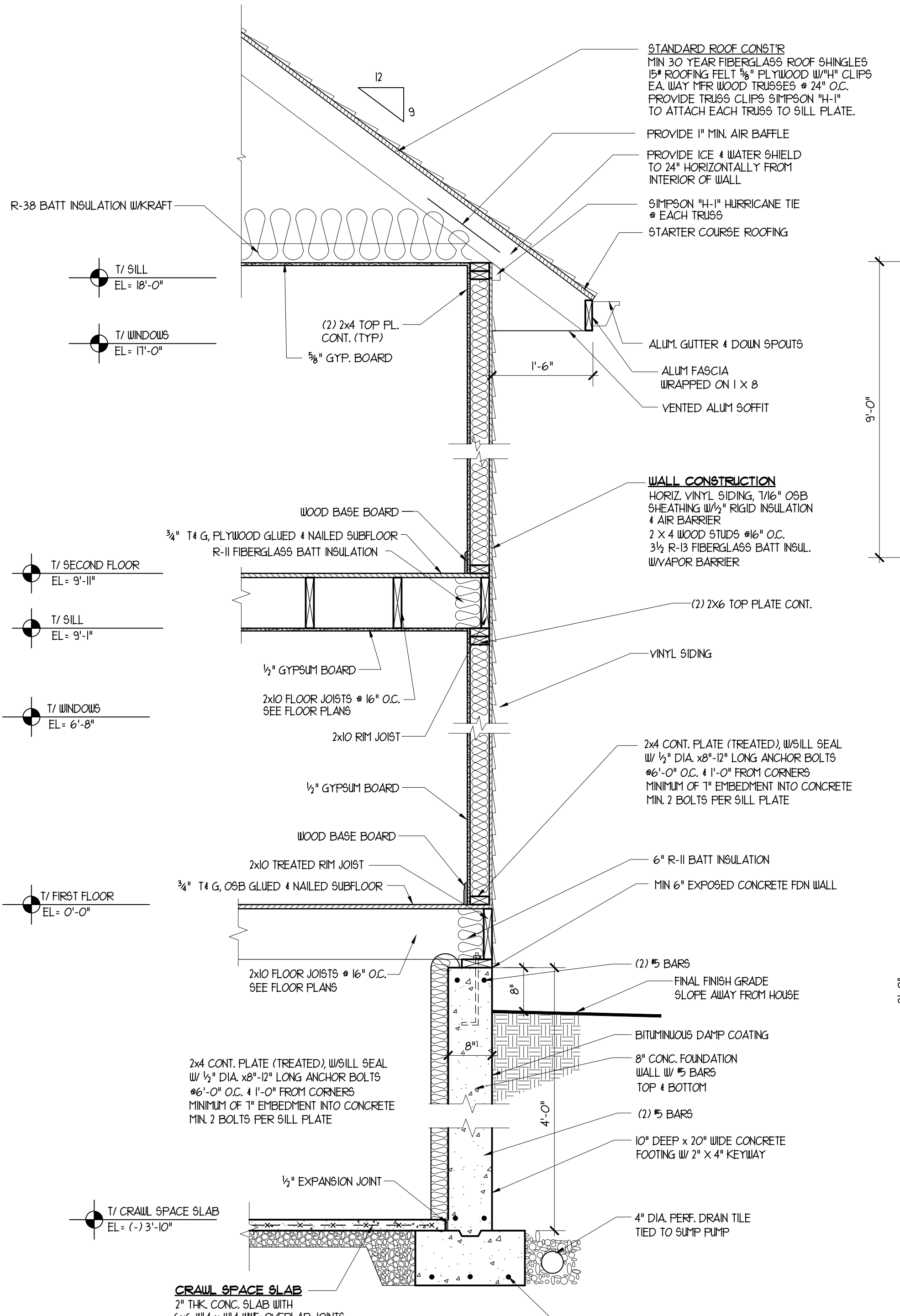
NOTES

- MANUFACTURED WOOD TRUSSES SHALL BE DESIGNED ACCORDING TO THE LIVE AND DEAD LOADS ON A-I TRUSS DRAWINGS SHALL BE PROVIDED AND SHALL BE SIGNED AND SEALED BY A LICENSED STRUCTURAL ENGINEER.
- USE RIDGE & HIP SHINGLE VENTS

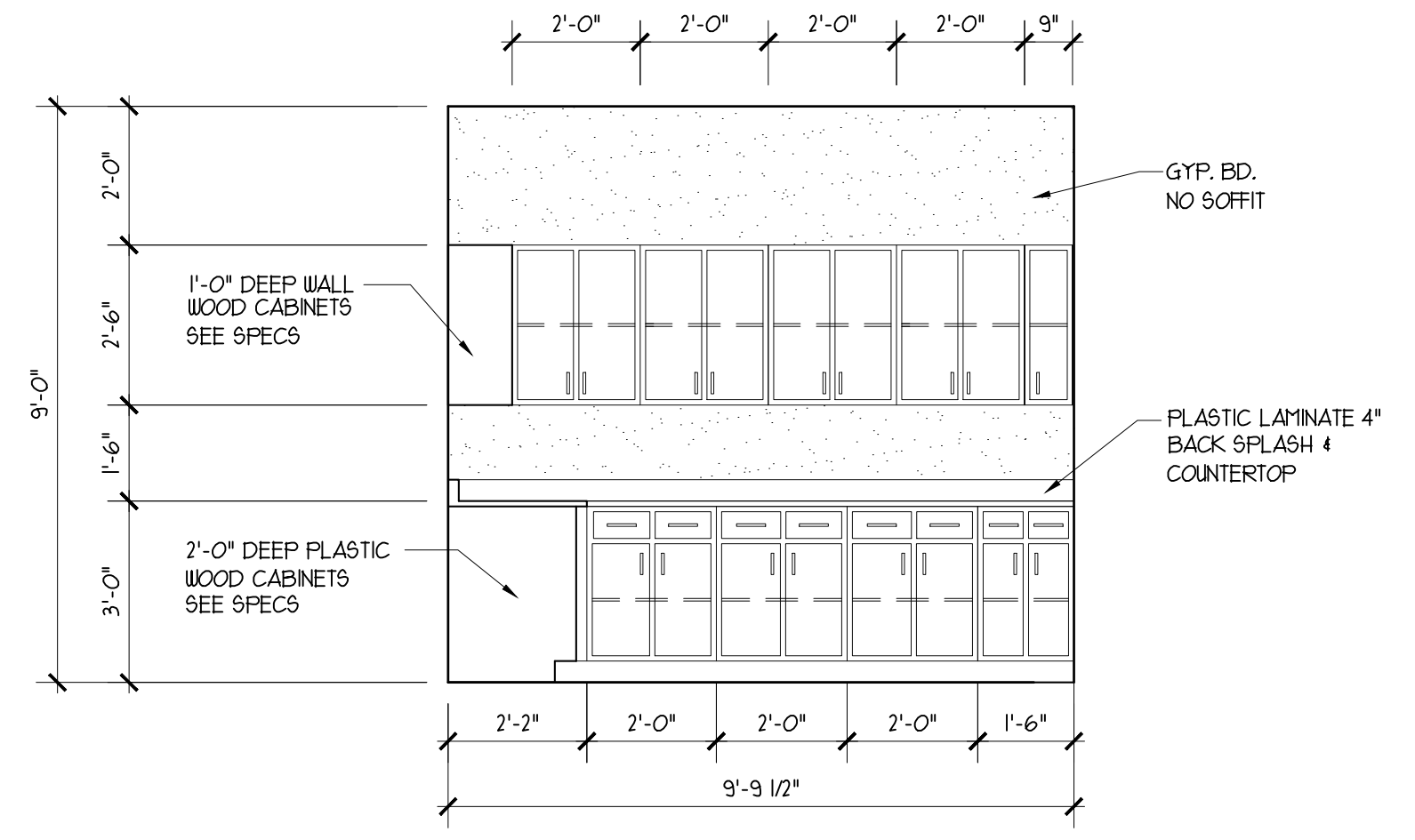
ROOF PLAN
 SCALE: 3/8" = 1'-0"
 NORTH



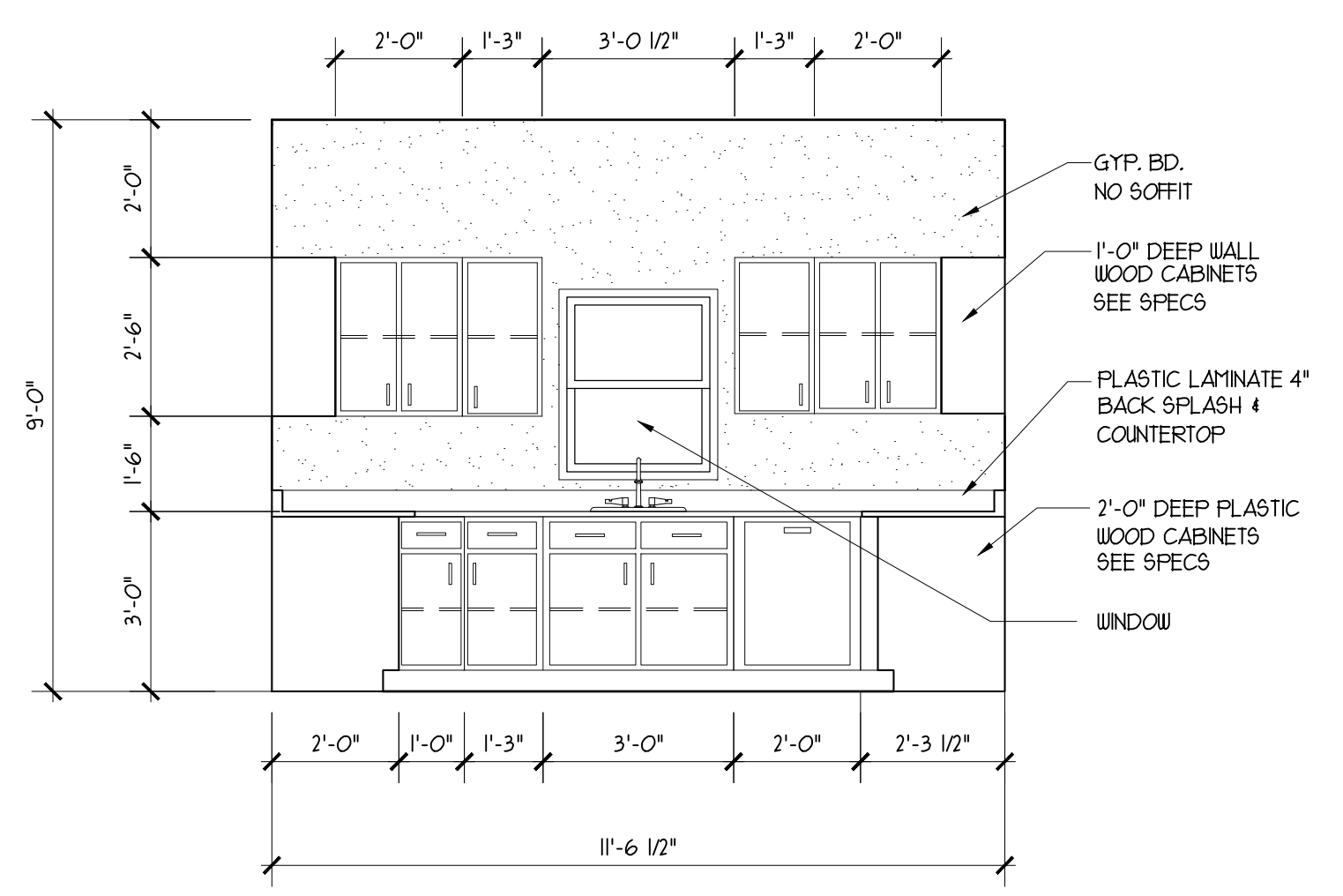
1 WALL SECTION @ FRONT
 SCALE: 3/8" = 1'-0"



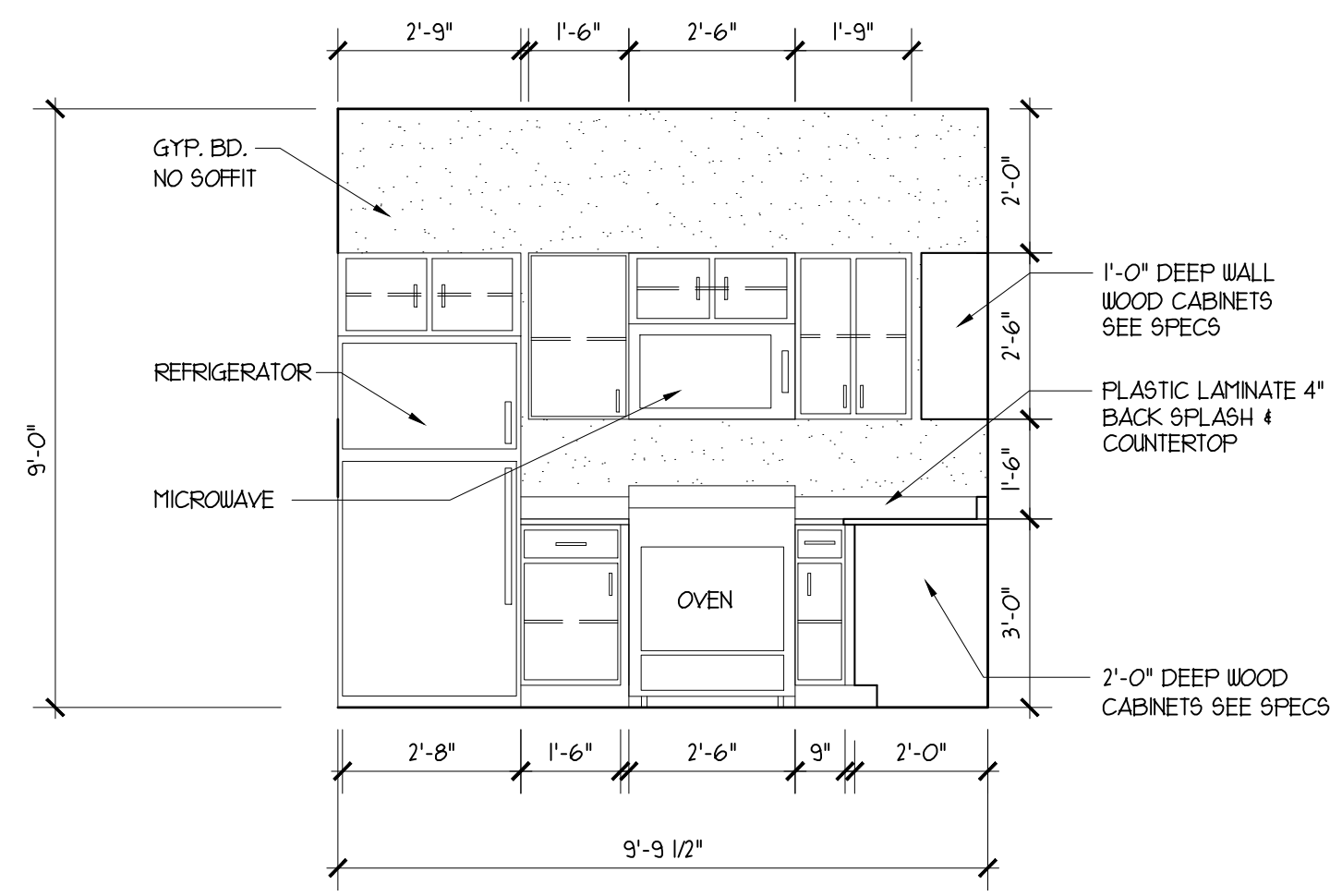
2 TYPICAL WALL SECTION
 SCALE: 3/8" = 1'-0"



KITCHEN ELEVATION
 SCALE: 3/8" = 1'-0"

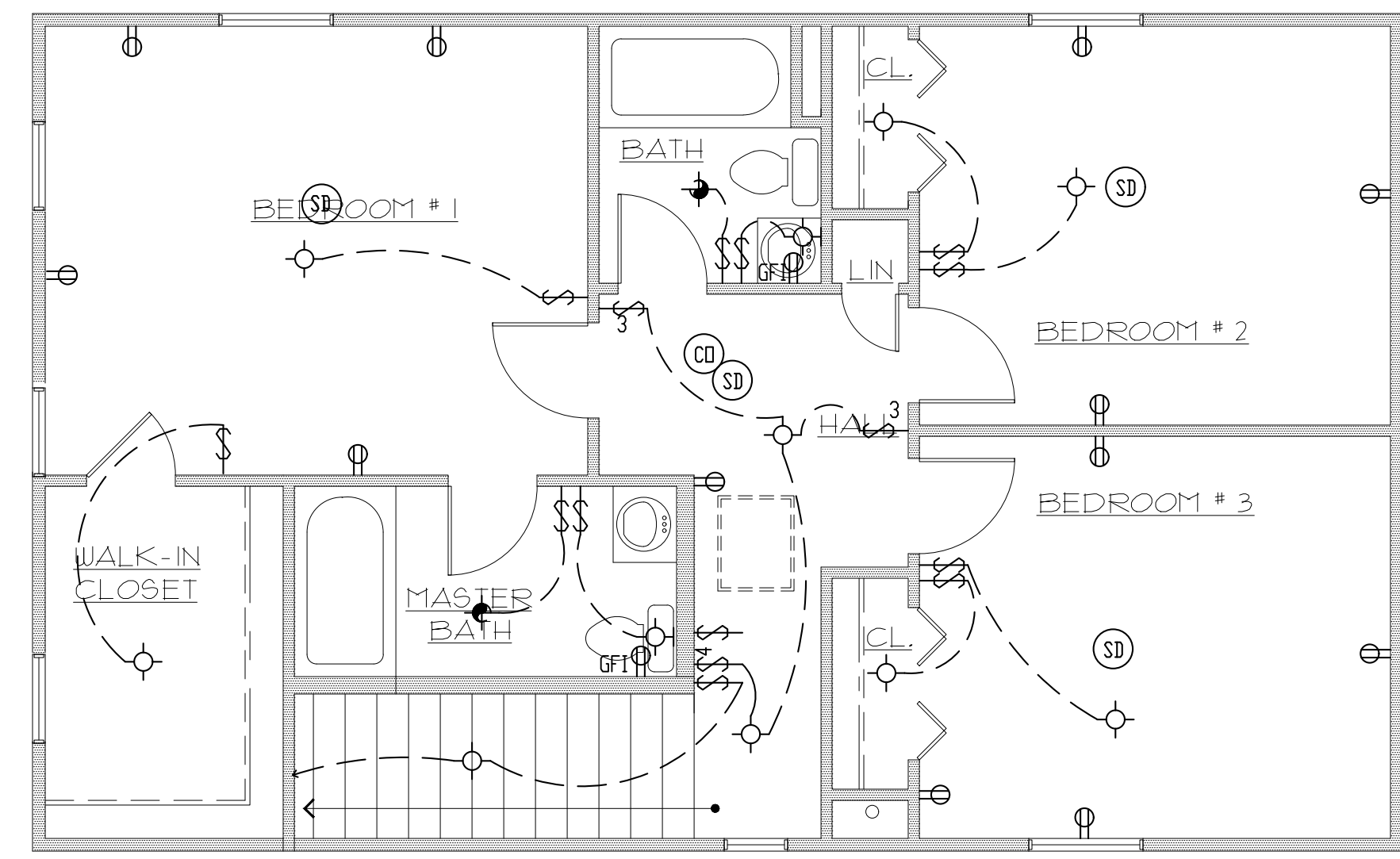


KITCHEN ELEVATION
 SCALE: 3/8" = 1'-0"



KITCHEN ELEVATION
 SCALE: 3/8" = 1'-0"

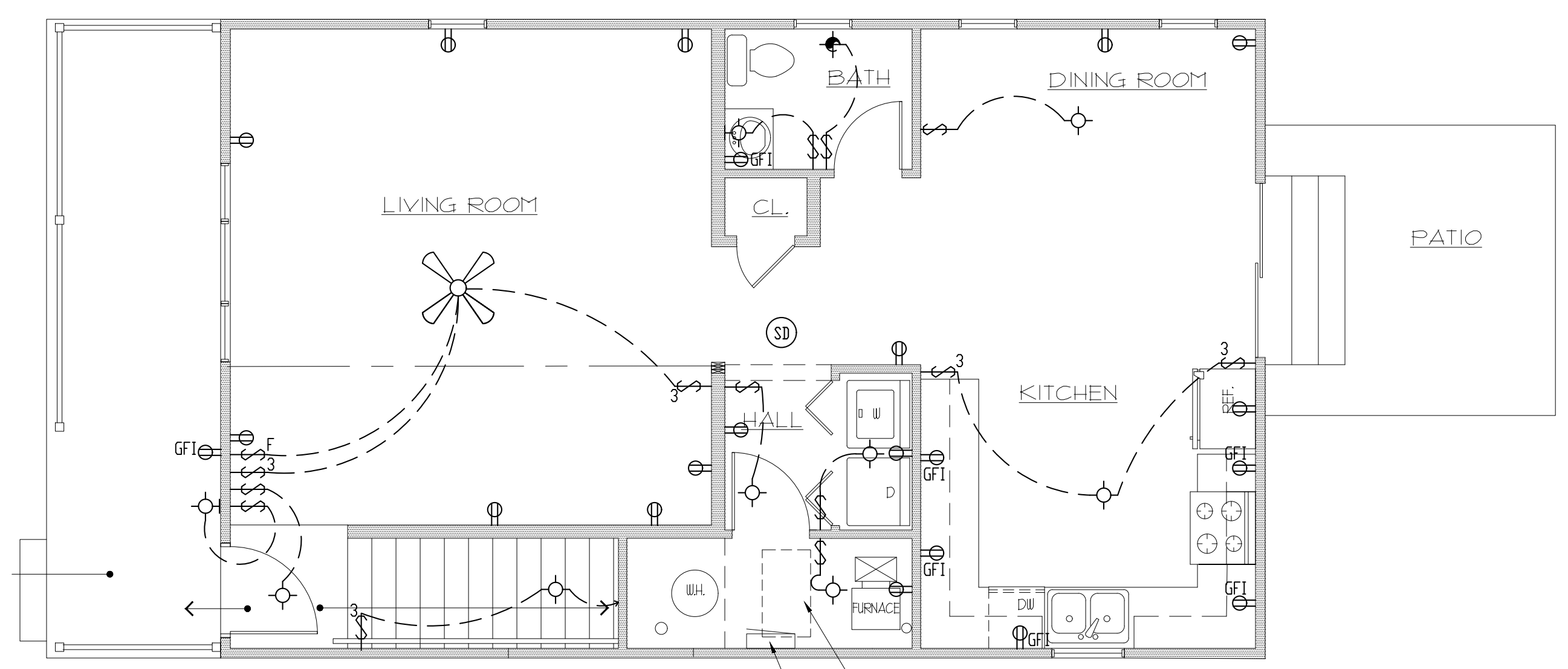
UNITED ARCHITECTS RESERVE COPYRIGHT AND OTHER RIGHTS RESTRICTING THESE DRAWINGS FOR THE ORIGINAL SITE OR PURPOSE FOR WHICH THEY WERE PREPARED. REPRODUCTIONS CHANGES OR OTHER ASSIGNMENTS ARE PROHIBITED. © 2016



SECOND FLOOR ELECTRICAL PLAN
 SCALE : 1/4" = 1'-0"
 NORTH

ELECTRICAL KEY	
	EXHAUST FAN LIGHT COMBINATION
	EXTERIOR FLOOD LIGHTS
	WALL SCONCE
	STANDARD LIGHT
	PULL CHAIN LIGHT FIXTURE
	GROUND FAULT CIRCUIT INTERRUPTER
	DUPLEX OUTLET
	OVERHEAD DUPLEX OUTLET
	LIGHT SWITCH
	THREE WAY LIGHT SWITCH
	SWITCH FOR FAN
	SMOKE DETECTOR
	FAN LIGHT
	COMBINATION SMOKE & CARBON MONOXIDE DETECTOR

- NOTES FOR ELECTRICAL PLAN**
- ELECTRIC PANEL BOARDS GROUNDED TO WATER LINE WITH INSULATED WIRE, 1/8 MIN. GROUND JUMPER ACROSS WATER METER.
 - ALL LIGHT FIXTURES ARE TO BE APPROVED BY OWNER PRIOR TO INSTALLATION.
 - A CARBON MONOXIDE DETECTOR SHALL BE REQUIRED AT EACH SLEEPING LEVEL.
 - * ARC FAULT PROTECTION * TO BE ALL CIRCUIT SUPPLYING POWER TO SLEEPING AREAS
 - 110 VOLT SMOKE DETECTOR W/ BATTERY BACK UP, TO BE INSTALLED IN EACH BEDROOM, SEE SPECIFICATIONS FOR SMOKE & CARBON MONOXIDE DETECTORS
 - INTERCONNECT ALL DETECTORS - SO THAT IF ONE ALARMS, ALL ALARM. A DEVICE MUST BE LOCATED WITHIN 15' OF EACH BEDROOM DOOR (TYP.)
 - ALL BATHROOM EXHAUST FANS TO BE DIRECTLY VENTED THROUGH EXTERIOR WALL OR ROOF OPENINGS.
 - REQUIRED GROUND FAULT CIRCUIT INTERRUPTERS: (GFI) ARE REQUIRED IN EVERY BATHROOM, ALL GARAGE RECEPTACLES, ALL EXTERIOR RECEPTACLES, ALL KITCHEN COUNTERTOP RECEPTACLES, AND ALL BASEMENT RECEPTACLES.
 - WIRING SHALL BE IN RIGID METAL CONDUIT
 - ALL ELECTRICAL WORK SHALL BE DONE BY A LICENSED CONTRACTOR & ACCORDING TO THE NATIONAL ELECTRICAL CODE (NEC) 2009 OR LATEST ADOPTED CODE
 - ONLY COOPER WIRE MAY BE USED.
 - ALL CLOSET LIGHTS SHALL BE..
 - A. RECESSED LIGHTS WITH 6" CLEARANCE BETWEEN FIXTURE AND NEAREST POINT OF STORAGE SPACE.
 - B. FLOURESCENT LIGHTS WITH 6" CLEARANCE BETWEEN FIXTURE AND NEAREST POINT OF STORAGE SPACE.
 - C. INCANDESCENT LIGHTS WITH 12" CLEARANCE BETWEEN FIXTURE AND NEAREST POINT OF STORAGE SPACE.
 - LIGHT FIXTURE ABOVE WHIRPOOL, TUBS AND SHOWERS SHALL BE GFI.



FIRST FLOOR ELECTRICAL PLAN
 SCALE : 1/4" = 1'-0"
 NORTH

ISSUED FOR BUILDING PERMIT MARCH 14, 2016

PROPOSED TWO STORY HOUSE PLANS
 FOR THE CITY OF JOLIET
 JOLIET, ILLINOIS

DRAWN BY: R.P.
 CHECKED BY: BOB GEBEL
 DATE : MARCH 14, 2016
 PROJECT NO: 16-07
 TITLE: ELECTRICAL PLANS

SHEET
 E-1

UNITED ARCHITECTS RESERVE COPYRIGHT AND OTHER RIGHTS RESTRICTING THESE DRAWINGS FOR THE ORIGINAL SITE OR PURPOSE FOR WHICH THEY WERE PREPARED. REPRODUCTIONS CHANGES OR OTHER ASSIGNMENTS ARE PROHIBITED. © 2016