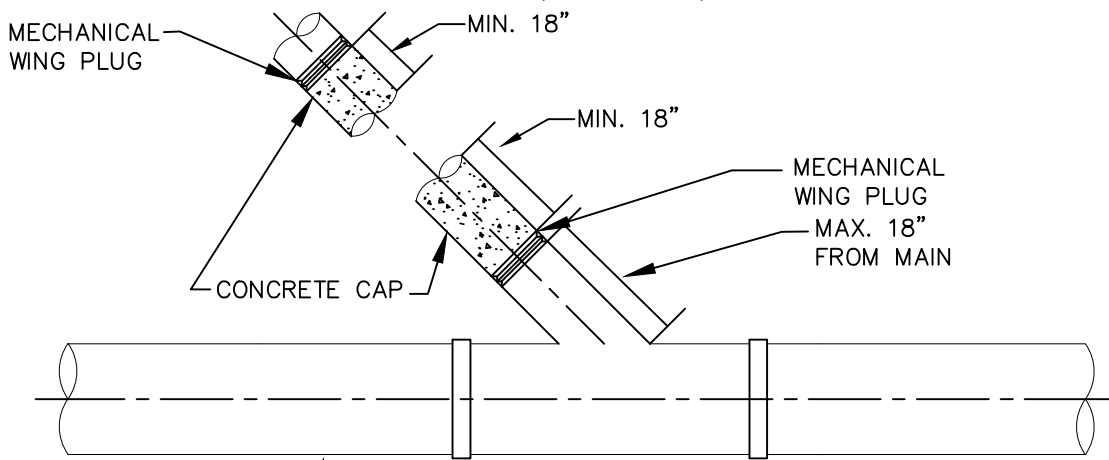


CAP-A-CONNECTION
LATERAL ABANDONMENT
(TRENCHLESS)



MECHANICAL PLUG
LATERAL ABANDONMENT
(NON-TRENCHLESS)

NOTE:

1. TRENCHLESS ABANDONMENT OF SANITARY LATERALS SHALL TAKE PRIORITY OVER NON-TRENCHLESS ABANDONMENT UNLESS AS DIRECTED BY THE ENGINEER.
2. ABANDONMENT OF THE SERVICE MUST OCCUR AT THE SANITARY MAIN UNLESS OTHERWISE APPROVED BY THE ENGINEER

NOT TO SCALE

CITY OF JOLIET, ILLINOIS

ABANDON SERVICE
CONNECTION – TRENCHLESS
& NON-TRENCHLESS
SAN-21
DATE: NOVEMBER 2022