

44	Tripp Lite Power Strip (OFE)	44
43	AJA FS2	43
42	Marshall V-R653-IMD-TE	42
41		41
40		40
39		39
38		38
37	Panasonic BT-LH1710	37
36		36
35		35
34	Blackmagic Smart Control	34
33	ClearCom MS-702 Main station	33
32		32
31	Panasonic AG-HMR10	31
30	(Custom Rack)	30
29		29
28	JVC SR-HD2500US	28
27		27
26	Broad Scan HD BHD930	26
25	BLANK	25
24	Blackmagic Design Compact Videohub	24
23		23
22		22
21	Video Router	21
20	BLANK	20
19		19
18		18
17	Ticaster 855	17
16		16
15		15
14		14
13		13
12		12
11		11
10		10
09		09
08		08
07		07
06		06
05		05
04		04
03		03
02		02
01		01

CONFIDENTIAL INFORMATION
DO NOT DUPLICATE

THIS DRAWING IS SUBMITTED BY STADIA VIDEO GROUP AS DOCUMENTATION A PROPOSED SYSTEM. IT CONTAINS PROPRIETARY INFORMATION WHICH SHOULD NOT BE DUPLICATED OR COPIED IN ANY MANNER. IF THIS PROPOSED SYSTEM IS NOT PURCHASED THIS PRINT MUST BE RETURNED TO STADIA VIDEO GROUP.

NOTES

REVISIONS

THIS DRAWING MAY HAVE BEEN REPRODUCED AT A SCALE DIFFERENT THAN ORIGINALLY DRAWN. STADIA VIDEO GROUP IS NOT RESPONSIBLE FOR THE INCORRECT USAGE OF THIS DRAWING. DO NOT SCALE THIS DRAWING PRINT. USE ONLY THE DIMENSIONS THAT ARE PROVIDED WITHIN THE DRAWING.


THIS DRAWING	FOR
PRELIMINARY REVIEW	
QUOTATION	
APPROVAL	
FABRICATION	
CONSTRUCTION	
FINAL DOCUMENTATION	X

SCALE	DATE
SALES REP	DESIGN BY
JP	JP
DRAWN BY	APPROVED BY
JP	SG

CLIENT
CITY OF JOLIET
JCTV

PROJECT
JCTV CONTROL ROOM
SYSTEM

TITLE



STADIA
VIDEO GROUP
STREAMWOOD, IL (630) 750-8174

FILE NAME

DRAWING NAME

RACK LAYOUT

Blackmagic Design Compact Videohub

INPUT	OUTPUT
CAM 1 01	01 PSW INPUT 1
CAM 2 02	02 PSW INPUT 2
CAM 3 03	03 PSW INPUT 3
CAM 4 04	04 PSW INPUT 4
CAM 5 05	05 PSW INPUT 5
CAM 6 06	06 PSW INPUT 6
CAM 7 07	07 PSW INPUT 7
CAM 8 08	08 PSW INPUT 8
	09
	10
I/O PANEL (BOARDROOM)	11
I/O PANEL (RACK)	12
BROAD SCAN HD BHD930	13
	14
JVC SR-HD2500US	15 JVC SR-HD2500US
PANASONIC AG-HMR10	16 PANASONIC AG-HMR10
	17
AJA FS2 SDI OUT 1	18 AJA FS2 SDI IN 1
AJA FS2 SDI OUT 2	19 AJA FS2 SDI IN 2
	20
	21
	22
TRICASTER PGM OUT SDI 1	23 PANASONIC QC MONITOR #1 SDI INPUT 1
TRICASTER PGM OUT SDI 2	24 PANASONIC QC MONITOR #1 SDI INPUT 2
TRICASTER AUX OUT	25 MARSHALL MONITOR #2
TRICASTER MULTIVIEW OUT (BLACKMAGIC DVI CONVERTER)	26 MARSHALL MONITOR #3
	27 MARSHALL MONITOR #4
	28 SONY MONITOR #5
	29
	30 TO COUNCIL ROOM AV SYSTEM 1 (JCTV 1)
	31 TO COUNCIL ROOM AV SYSTEM 2 (JCTV 2)
	32
	33
	34
	35
	36
	37
	38
	39
JCTV HEADEND TIELINE	40 JCTV HEADEND TIELINE

CONFIDENTIAL INFORMATION
DO NOT DUPLICATE

THIS DRAWING IS SUBMITTED BY STADIA VIDEO GROUP AS DOCUMENTATION A PROPOSED SYSTEM. IT CONTAINS PROPRIETARY INFORMATION WHICH SHOULD NOT BE DUPLICATED OR COPIED IN ANY MANNER. IF THIS PROPOSED SYSTEM IS NOT PURCHASED THIS PRINT MUST BE RETURNED TO STADIA VIDEO GROUP.

NOTES

REVISIONS

THIS DRAWING MAY HAVE BEEN REPRODUCED AT A SCALE DIFFERENT THAN ORIGINALLY DRAWN. STADIA VIDEO GROUP IS NOT RESPONSIBLE FOR THE INCORRECT USAGE OF THIS DRAWING. DO NOT SCALE THIS DRAWING PRINT. USE ONLY THE DIMENSIONS THAT ARE PROVIDED WITHIN THE DRAWING.

THIS DRAWING	FOR
PRELIMINARY REVIEW	
QUOTATION	
APPROVAL	
FABRICATION	
CONSTRUCTION	
FINAL DOCUMENTATION	X

SCALE	DATE
SALES REP	DESIGN BY
JP	JP
DRAWN BY	APPROVED BY
JP	SG

CLIENT
CITY OF JOLIET
JCTV

PROJECT

SYSTEM

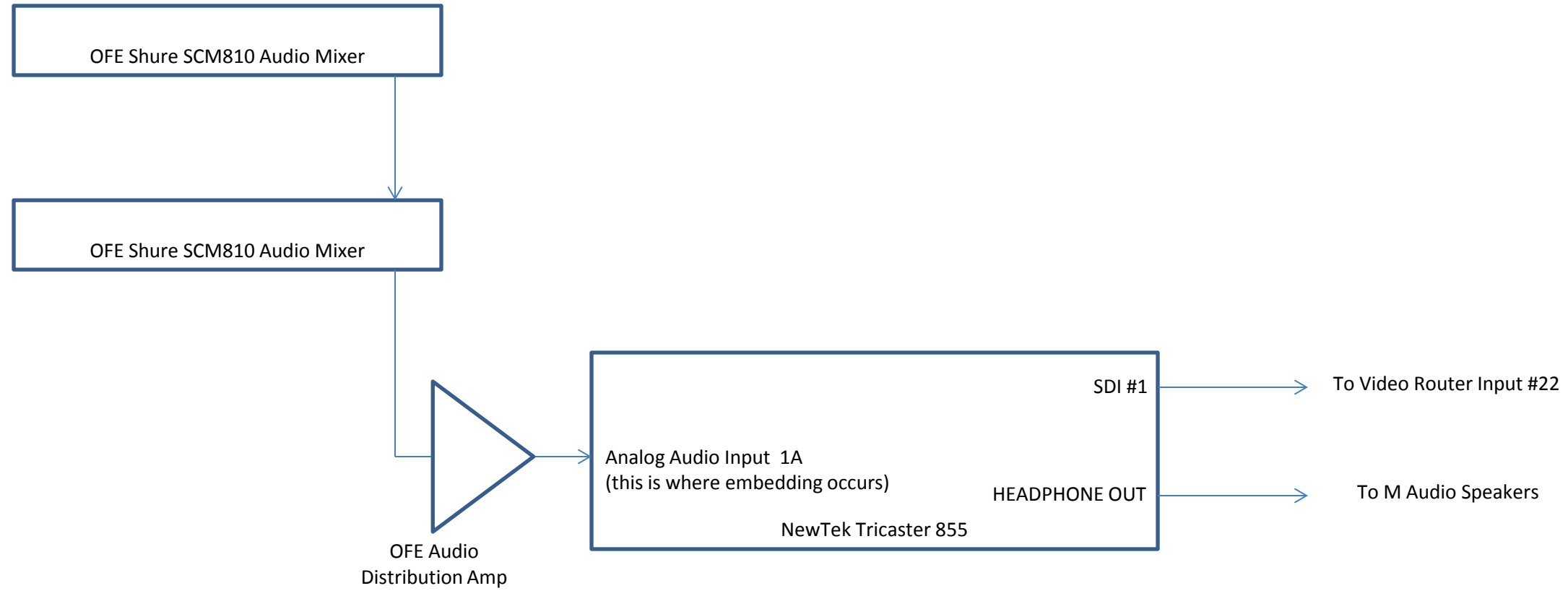
TITLE



FILE NAME

DRAWING NAME

ROUTER I/O



CONFIDENTIAL INFORMATION
DO NOT DUPLICATE

THIS DRAWING IS SUBMITTED BY STADIA VIDEO GROUP AS DOCUMENTATION A PROPOSED SYSTEM. IT CONTAINS PROPRIETARY INFORMATION WHICH SHOULD NOT BE DUPLICATED OR COPIED IN ANY MANNER. IF THIS PROPOSED SYSTEM IS NOT PURCHASED THIS PRINT MUST BE RETURNED TO STADIA VIDEO GROUP.

NOTES

REVISIONS

THIS DRAWING MAY HAVE BEEN REPRODUCED AT A SCALE DIFFERENT THAN ORIGINALLY DRAWN. STADIA VIDEO GROUP IS NOT RESPONSIBLE FOR THE INCORRECT USAGE OF THIS DRAWING. DO NOT SCALE THE DIMENSIONS THAT ARE PROVIDED WITHIN THE DRAWING.

THIS DRAWING	FOR
PRELIMINARY REVIEW	
QUOTATION	
APPROVAL	
FABRICATION	
CONSTRUCTION	
FINAL DOCUMENTATION	X

SCALE	DATE
SALES REP	DESIGN BY
JP	JP
DRAWN BY	APPROVED BY
JP	SG

CLIENT
CITY OF JOLIET
JCTV

PROJECT

SYSTEM

TITLE



FILE NAME

DRAWING NAME

AUDIO FLOW

CONFIDENTIAL INFORMATION
DO NOT DUPLICATE

THIS DRAWING IS SUBMITTED BY STADIA VIDEO GROUP AS DOCUMENTATION A PROPOSED SYSTEM. IT CONTAINS PROPRIETARY INFORMATION WHICH SHOULD NOT BE DUPLICATED OR COPIED IN ANY MANNER. IF THIS PROPOSED SYSTEM IS NOT PURCHASED THIS PRINT MUST BE RETURNED TO STADIA VIDEO GROUP.

NOTES

REVISIONS

THIS DRAWING MAY HAVE BEEN REPRODUCED AT A SCALE DIFFERENT THAN ORIGINALLY DRAWN. STADIA VIDEO GROUP IS NOT RESPONSIBLE FOR THE INCORRECT USAGE OF THIS DRAWING. DO NOT SCALE THIS DRAWING PRINT. USE ONLY THE DIMENSIONS THAT ARE PROVIDED WITHIN THE DRAWING.

THIS DRAWING	FOR
PRELIMINARY REVIEW	
QUOTATION	
APPROVAL	
FABRICATION	
CONSTRUCTION	
FINAL DOCUMENTATION	X

SCALE	DATE
-------	------

SALES REP	DESIGN BY
JP	JP

DRAWN BY	APPROVED BY
JP	SG

CLIENT
CITY OF JOLIET
JCTV

PROJECT

SYSTEM

TITLE

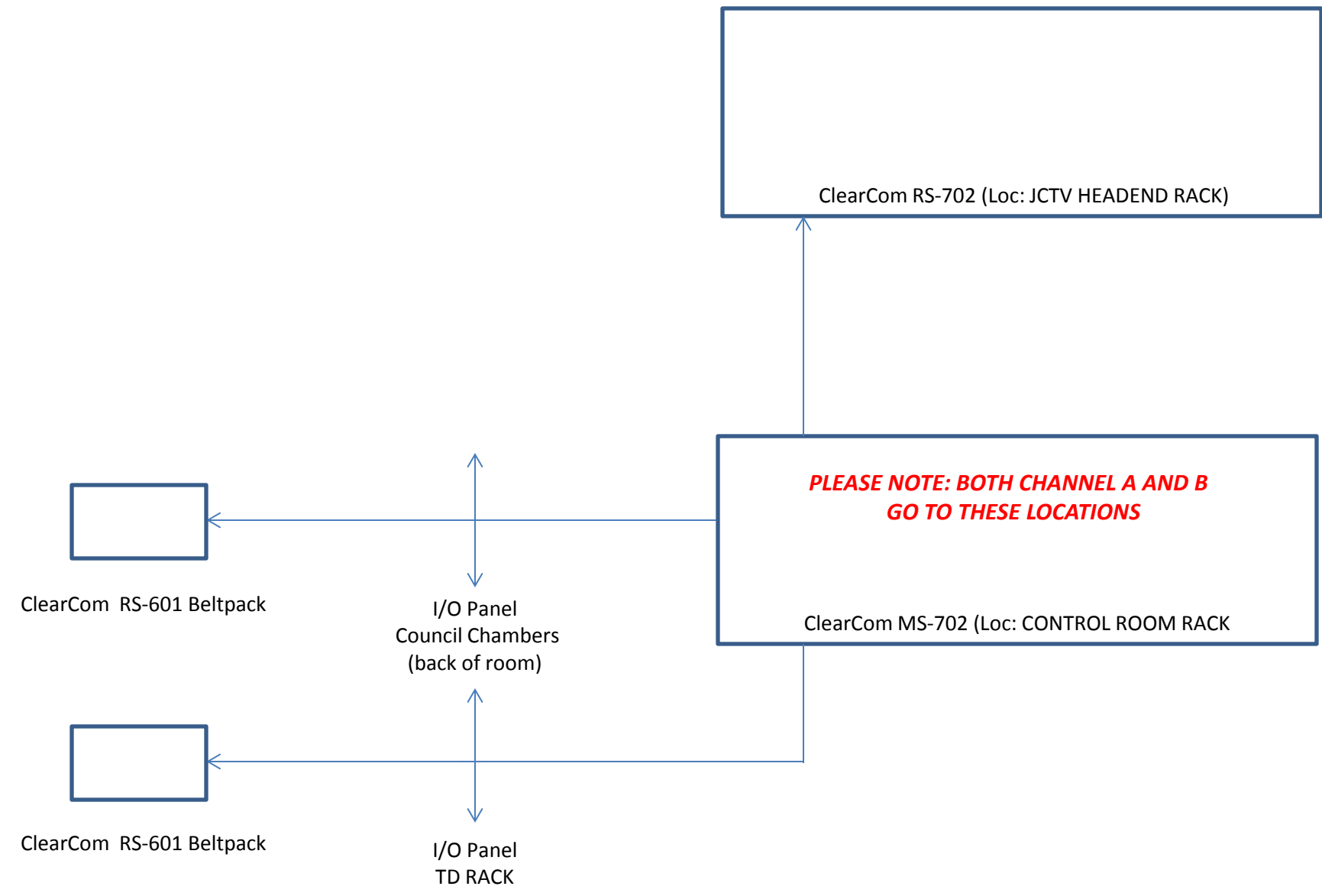


STREAMWOOD, IL (630) 750-8174

FILE NAME

DRAWING NAME

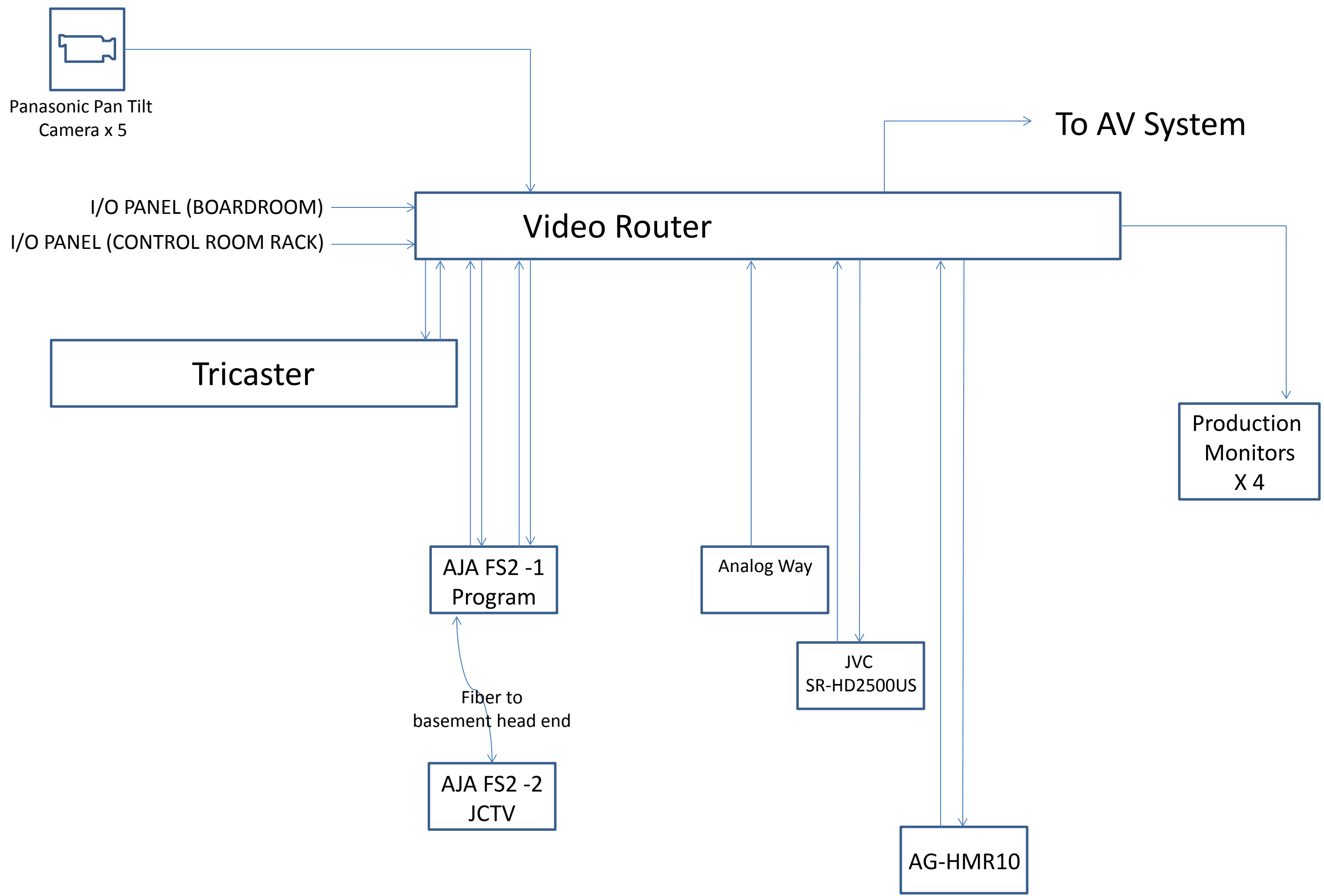
INTERCOM FLOW



CONFIDENTIAL INFORMATION
DO NOT DUPLICATE

THIS DRAWING IS SUBMITTED BY STADIA VIDEO GROUP AS DOCUMENTATION A PROPOSED SYSTEM. IT CONTAINS PROPRIETARY INFORMATION WHICH SHOULD NOT BE DUPLICATED OR COPIED IN ANY MANNER. IF THIS PROPOSED SYSTEM IS NOT PURCHASED THIS PRINT MUST BE RETURNED TO STADIA VIDEO GROUP.

NOTES



REVISIONS

THIS DRAWING MAY HAVE BEEN REPRODUCED AT A SCALE DIFFERENT THAN ORIGINALLY DRAWN. STADIA VIDEO GROUP IS NOT RESPONSIBLE FOR THE INCORRECT USAGE OF THIS DRAWING. DO NOT SCALE THIS DRAWING PRINT. USE ONLY THE DIMENSIONS THAT ARE PROVIDED WITHIN THE DRAWING.

THIS DRAWING	FOR
PRELIMINARY REVIEW	
QUOTATION	
APPROVAL	
FABRICATION	
CONSTRUCTION	
FINAL DOCUMENTATION	X

SCALE	DATE
-------	------

SALES REP	DESIGN BY
JP	JP

DRAWN BY	APPROVED BY
JP	SG

CLIENT
CITY OF JOLIET
JCTV

PROJECT

SYSTEM

TITLE



STREAMWOOD, IL (630) 750-8174

FILE NAME

DRAWING NAME

VIDEO FLOW

CONFIDENTIAL INFORMATION
DO NOT DUPLICATE

THIS DRAWING IS SUBMITTED BY STADIA VIDEO GROUP AS DOCUMENTATION A PROPOSED SYSTEM. IT CONTAINS PROPRIETARY INFORMATION WHICH SHOULD NOT BE DUPLICATED OR COPIED IN ANY MANNER. IF THIS PROPOSED SYSTEM IS NOT PURCHASED THIS PRINT MUST BE RETURNED TO STADIA VIDEO GROUP.

NOTES

REVISIONS

THIS DRAWING MAY HAVE BEEN REPRODUCED AT A SCALE DIFFERENT THAN ORIGINALLY DRAWN. STADIA VIDEO GROUP IS NOT RESPONSIBLE FOR THE INCORRECT USE OF THIS DRAWING. DO NOT SCALE THIS DRAWING PRINT. USE ONLY THE DIMENSIONS THAT ARE PROVIDED WITHIN THE DRAWING.

THIS DRAWING	FOR
PRELIMINARY REVIEW	
QUOTATION	
APPROVAL	
FABRICATION	
CONSTRUCTION	
FINAL DOCUMENTATION	

SCALE	DATE
SALES REP	DESIGN BY
DRAWN BY	APPROVED BY

CLIENT

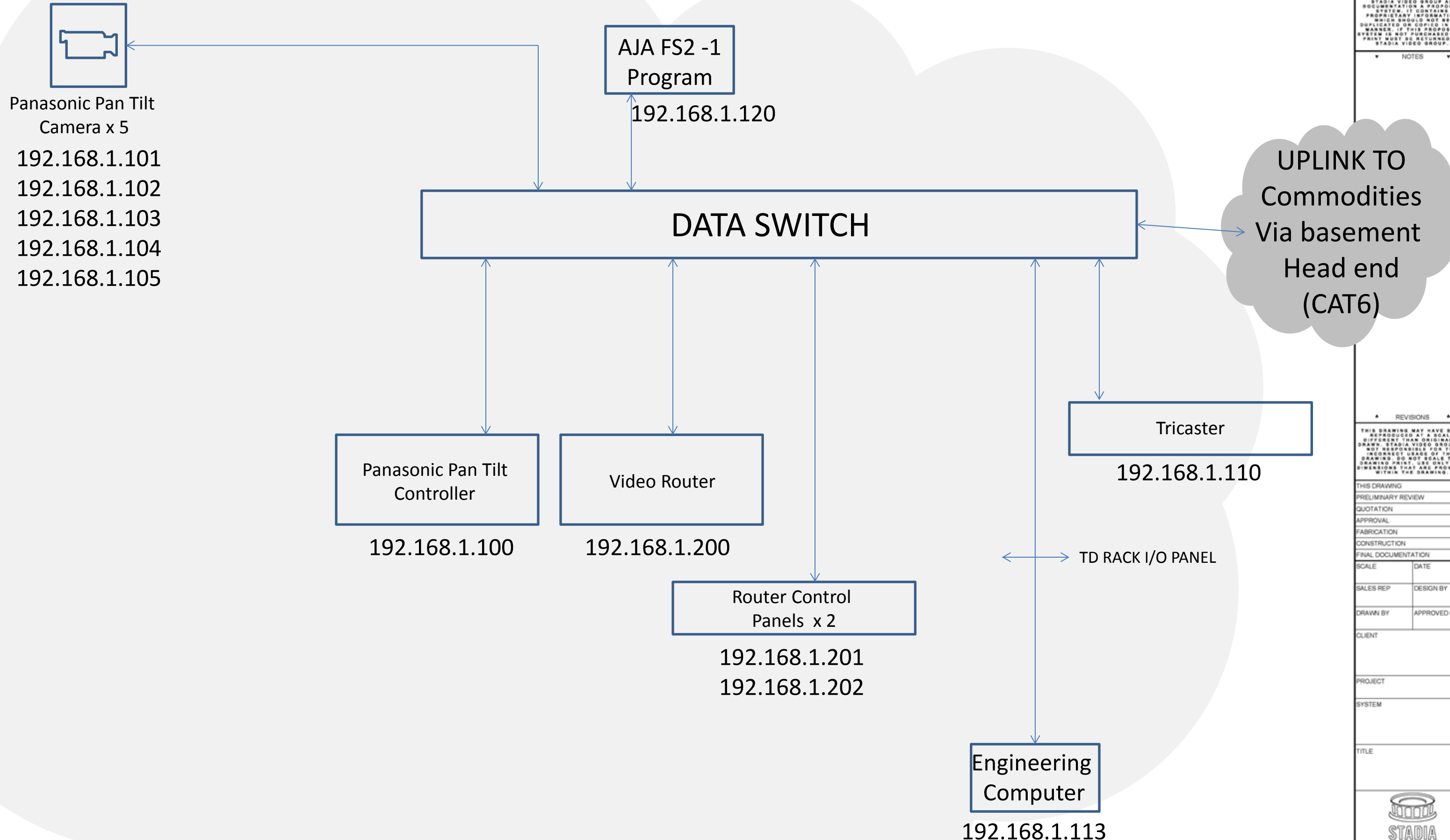
PROJECT

SYSTEM

TITLE



FILE NAME
DRAWING NAME



Panasonic Pan Tilt
Camera x 5
192.168.1.101
192.168.1.102
192.168.1.103
192.168.1.104
192.168.1.105

AJA FS2 -1
Program
192.168.1.120

DATA SWITCH

UPLINK TO
Commodities
Via basement
Head end
(CAT6)

Panasonic Pan Tilt
Controller
192.168.1.100

Video Router
192.168.1.200

Router Control
Panels x 2
192.168.1.201
192.168.1.202

Tricaster
192.168.1.110

TD RACK I/O PANEL

Engineering
Computer
192.168.1.113

DATA Flow