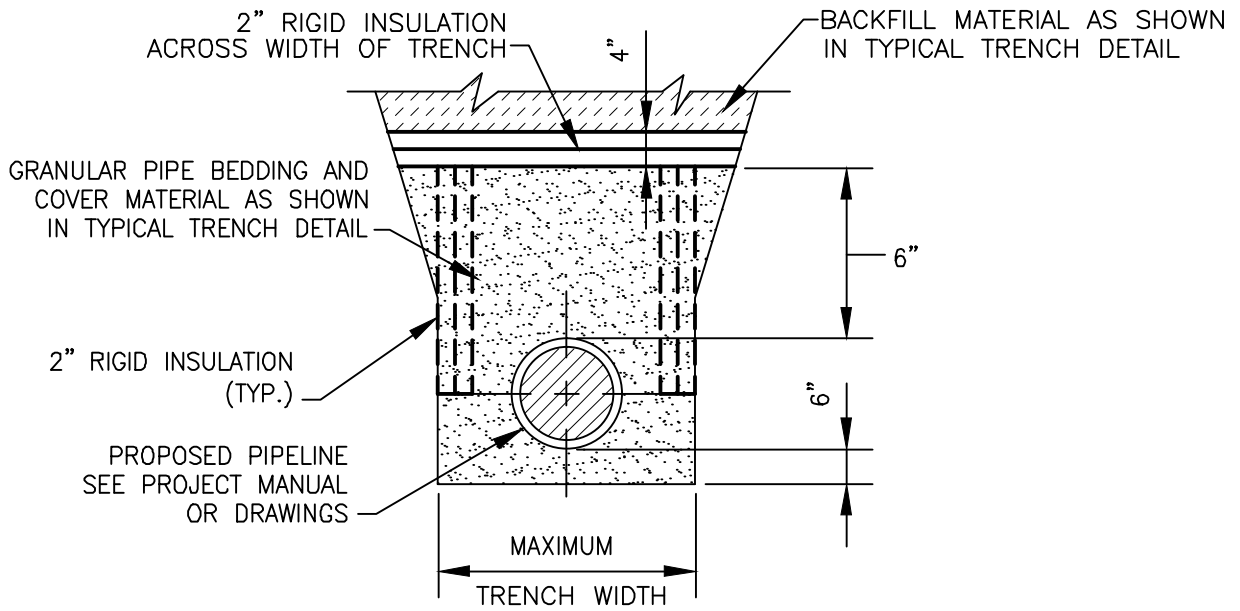


WATER SERVICE



WATER MAIN

NOTES:

1. TO BE USED WHEN WATER MAIN AND / OR WATER SERVICE BURY DEPTH IS < 4' OR WHEN WATER SERVICE CROSSES ABOVE STORM SEWER.

NOT TO SCALE

CITY OF JOLIET, ILLINOIS

PIPE INSULATION  
DETAIL  
WTR-04

DATE: OCT. 2017