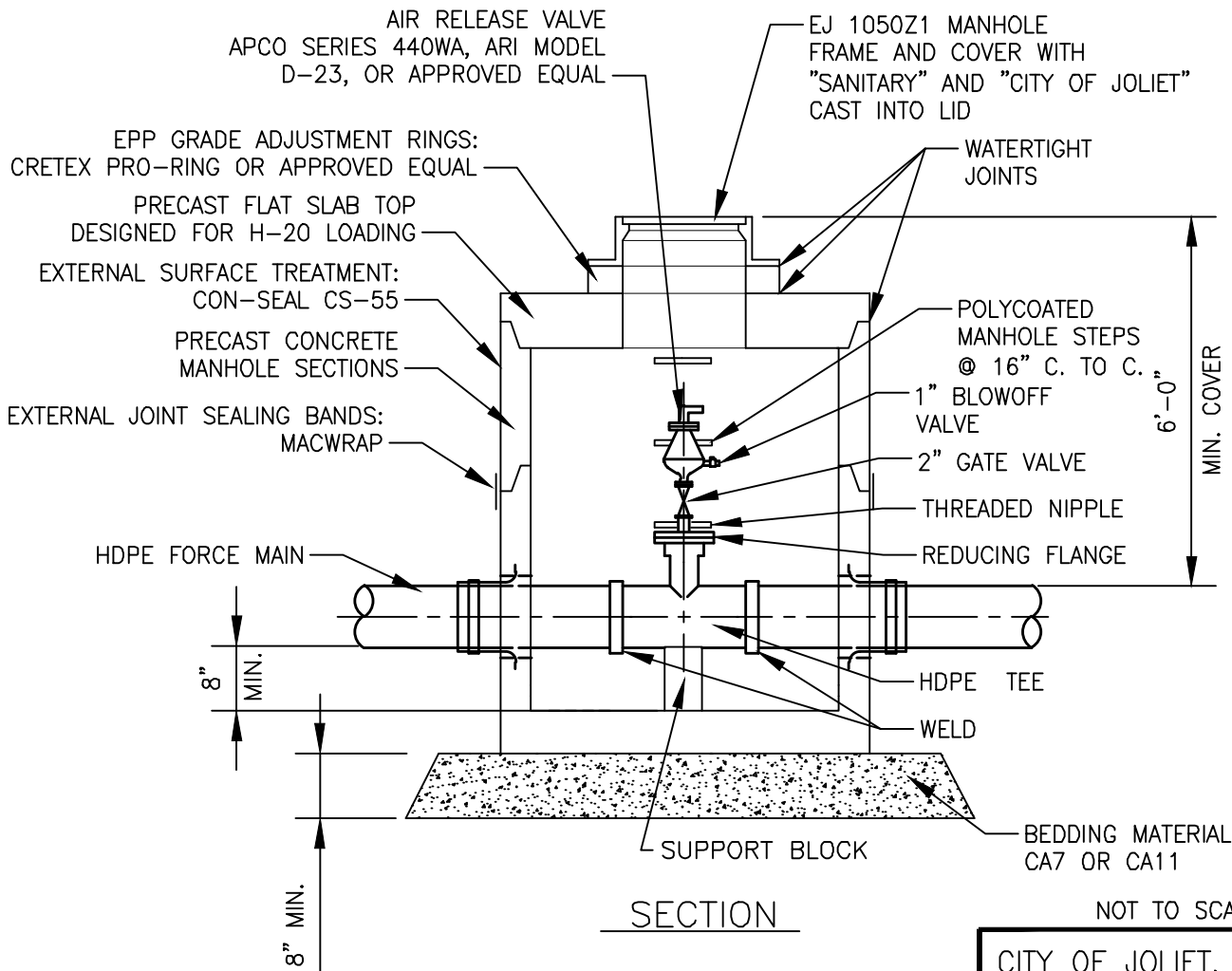


PLAN



SECTION

NOT TO SCALE

CITY OF JOLIET, ILLINOIS

AIR RELEASE / VACUUM
VALVE AND VAULT
SAN-06

DATE: OCT. 2017

* DETERMINE DEPTH OF COVER AT MANHOLE BASED ON FORCE MAIN SIZE AND MANUFACTURER/MODEL OF AIR RELEASE/VACUUM VALVE. DETERMINE AND ADJUST ELEVATIONS OF FORCE MAIN PIPE ON BOTH SIDES OF MANHOLE, IF REQUIRED, TO AVOID INTERMEDIATE HIGH POINTS IN FORCE MAIN.