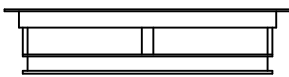
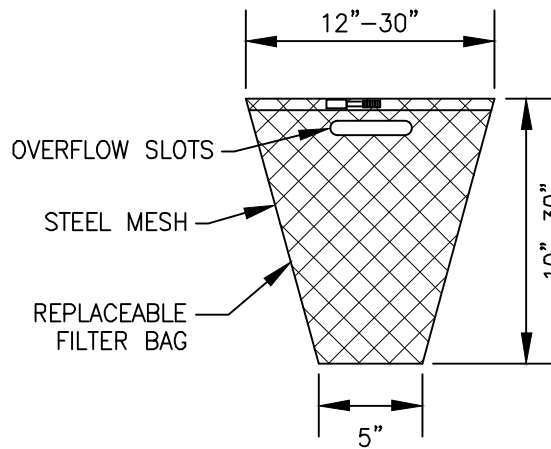


PLAN



SECTION

GENERAL NOTES:

FRAME: TOP RING CONSTRUCTED FROM 1 1/4" x 1 1/4" x 1/8" ANGLE.  
 BASE RING CONSTRUCTED OF 1 1/2" x 1/2" x 1/8" CHANNEL.  
 HANDLES & SUSPENSION BRACKETS CONSTRUCTED FROM 1/4" x 1 1/4" FLAT. ALL STEEL CONFORMING TO ASTM-A36.

REPLACEABLE BAG: CONSTRUCTED FROM 4 OZ./SQ. YD. NON-WOVEN POLYPROPYLENE GEOTEXTILE REINFORCED WITH POLYESTER MESH. CONNECTED TO BASE RING WITH STAINLESS STEEL STRAP & LOCK.

STEEL MESH: REMOVABLE STAINLESS STEEL MESH STRAINER BASKET. 1/4" DIA. HOLE SIZE, 58% OPEN AREA.

NOT TO SCALE

CITY OF JOLIET, ILLINOIS

INLET PROTECTION  
 FILTER DETAIL  
 GEN-02

DATE: OCT. 2017